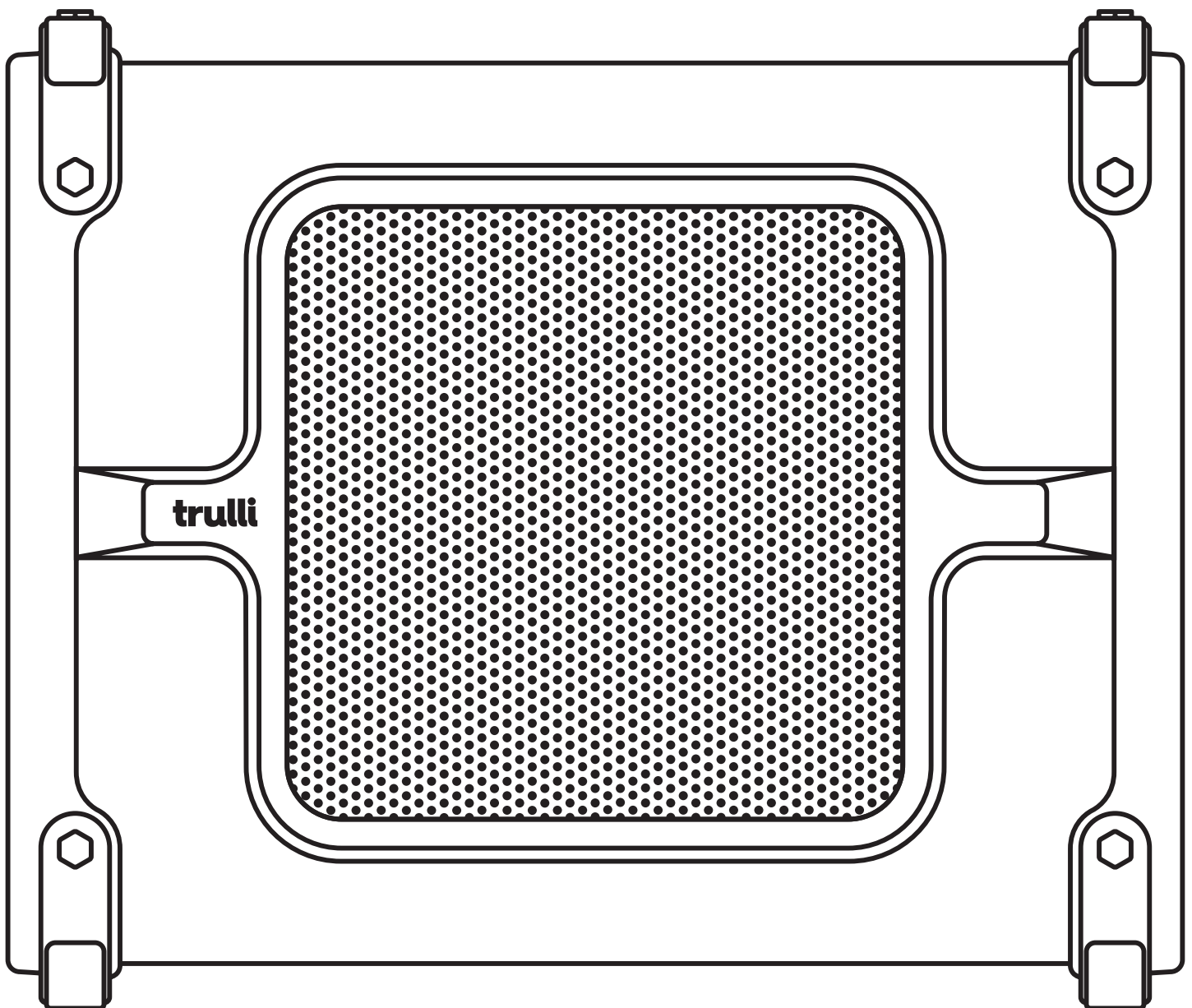


trulli

BASS50

WIRELESS BATTERY-POWERED SUBWOOFER

User Manual



Congratulations and Welcome to the Trulli Audio Family.

The Bass50 delivers deep, powerful bass anywhere you go. Enjoy seamless wireless connectivity, innovative time correction, efficient battery management, and easy app-based control. Exceptional sound. Delivered simply.

What You'll Find in This Manual:

- Easy setup instructions
- How to use the Bass50 in many applications
- Trulli Mobile app guide
- Performance tips for maximizing bass
- Care and safety guidelines
- Warranty and support info

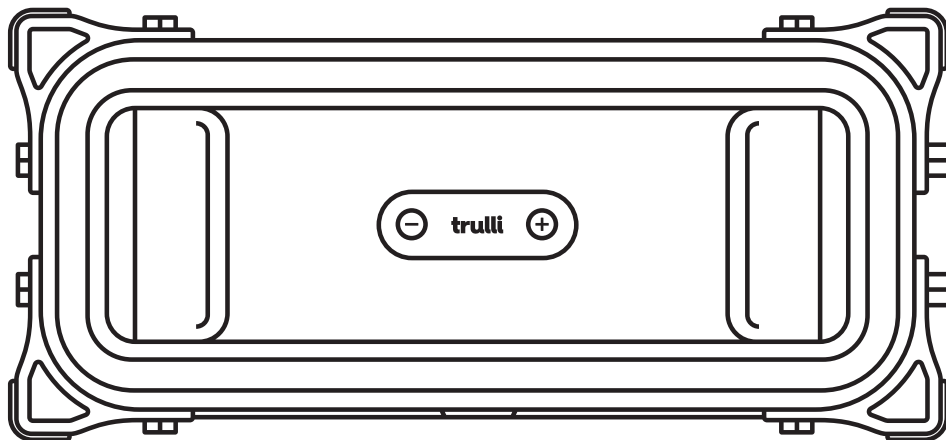


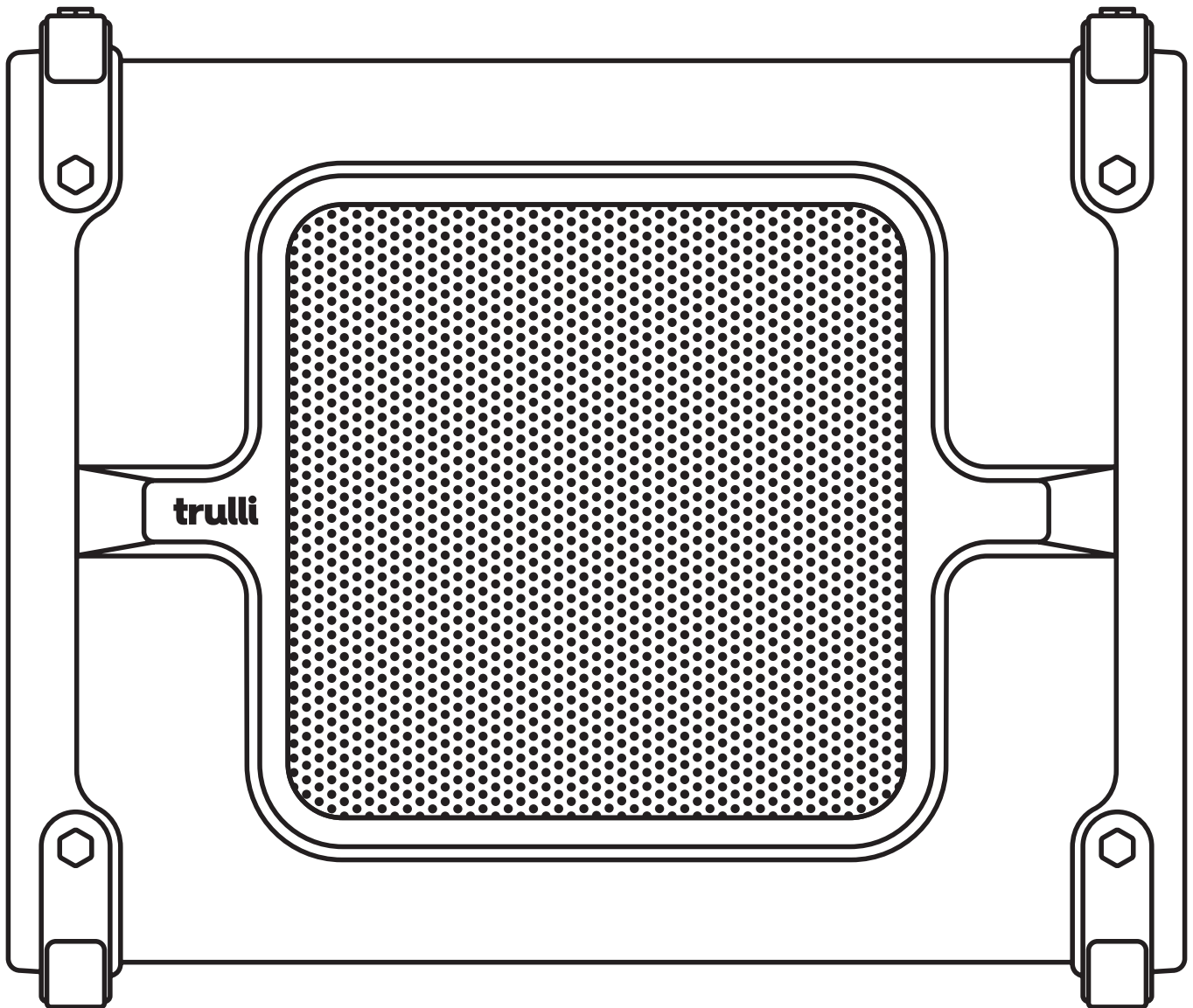
Table of Contents

05	3. Getting Started	50	8. Wireless and connectivity
06	3a. Registering your Bass50	51	8a. Bluetooth
07	3b. Overview, Features, and High-Level Specs	52	8b. SKAA
08	3c . What's In The Box	55	9. Power and Battery Charging
09	3d. Quick Start overview	56	9a. Power States
10	4. Operating Your Bass50 Speaker	56	9b. Battery Overview
11	4a. Inputs, Outputs, and Controls	58	9c. Charging Options
12	4b. Using the Main Controls	59	9d. Battery Removal
14	4c. SKAA Controls Guide	59	9e. Battery Performance
15	5. Using the Trulli App	60	9f. Battery Safety Guidelines
16	5a. Minimum System Requirements	60	9g. Battery Specifications
17	5b. Walk-Through Guides – First Time Use	61	10. Bass50 Product Specifications
19	5c. Home Screen Controls	62	10a. General Product Information
20	5d. Button Guides	62	10b. Audio Performance
21	5e. Help/Info Pages	63	10c. Sound Profiles
24	5f. Connect a Device	63	10d. Connectivity
25	5g. Bass50 Sound Profiles	64	11. Accessories
26	5h. Bass50 Sound Profile Settings	65	11a. Trulli Universal Port
28	5i. Adding More Profiles	66	12. Care and Maintenance
29	5j. System Settings	67	12a. Bass50
30	5k. Firmware Updates for Your Bass50	68	12b. Battery
32	6. Application Guides – Modes of Operation	69	12c. Universal Port Attachment
33	6a. Audio Routing & Best Practices	70	13. Safety, Notes on Use
36	6b. Use With Portable/Battery-Powered Speakers	71	13a. Hearing Safety Warning
37	6c. Use With SKAA-Enabled Speakers	71	13b. Precautions
38	6d. Studio/Content Creator	72	13c. Symbols
39	6e. DJ/Live Music	73	13d. Mounting and Tipping Safety
40	6f. Using Multiple Bass50s (Dual-Unit Setups & Large-Scale Clusters)	74	14. Regulatory Information
41	7. Getting the Best Sound Out of Your Bass50	75	14a. FCC / IC Compliance
42	7a. Environment – Know Your Surroundings	77	14b. CE & Environmental Compliance
43	7b. Orientation & Placement	78	15. Customer Bill of Rights
48	7c. Utilizing the App	80	16. Warranty
49	7d. Using with the Trulli Universal Port		

Table of Contents (Cont.)

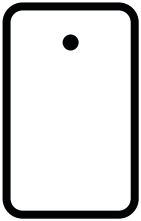
84	17. Troubleshooting and FAQ
85	17a. Bass50 Troubleshooting (FAQs)
87	17b. SKAA Wireless Troubleshooting (FAQs)
89	18. Contact Us
91	19. Share Your Thoughts
93	20. Appendix / Help Guides
94	20a. App Help Details
94	20b. Glossary of Terms
97	21. Licenses and Trademarks

3. Getting Started



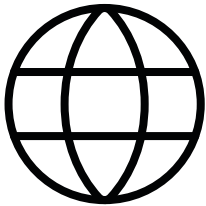
3a. Registering Your Bass50

Registering your Bass50 unlocks faster support, warranty validation, and early access to product updates and compatible accessories. It only takes a minute and ensures you stay in the loop as we release new features and updates for your system. You can register in one of two ways:



Via the Trulli Mobile App

Once your Bass50 is paired, open the app and head to the Info tab to complete registration



Online at trulliaudio.com/pages/register-bass50

Registration is optional but recommended. It helps us support you better and deliver relevant updates right to your inbox.

3b. Overview, Features, and High-Level Specs

The Trulli Bass50 is a compact, battery-powered subwoofer that delivers deep, high-quality bass with minimal setup and no installation required.

What makes the Bass50 unique is its self-contained design. With a removable LiFePO₄ battery, built-in wireless, and customizable DSP sound tuning, it doesn't need external amplifiers or permanent wiring. Just turn it on, connect with the mobile app, complete system setup, and start listening.

The Bass50 integrates easily into your existing audio setup or can form the foundation of a new system. It supports Bluetooth, SKAA-compatible devices, USB, and AUX connections. Trulli's patented Time Correction technology ensures the Bass50 stays synchronized with your audio system, delivering clear and cohesive sound. Built from Baltic birch for durability and sound quality, the Bass50 features our patented 10-inch low-profile driver and an internal amplifier that adjusts its power use based on volume to conserve battery life.

Key Features



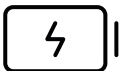
Time Correction (Auto + Manual)

Automatically or manually synchronizes your audio system with the subwoofer.



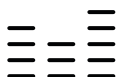
Mobile App Control

Provides easy setup, detailed audio adjustments, and saves customized sound profiles for different environments.



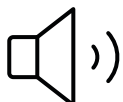
Removable LiFePO₄ Battery

Reliable, rechargeable power designed for portability and convenience.



Custom DSP Sound Profiles

Optimized audio tuning for rooms, outdoor spaces, and more.



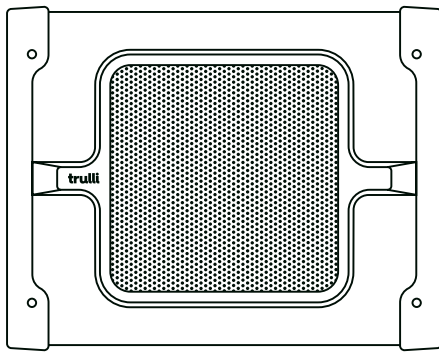
Flexible Audio Connectivity

Supports Bluetooth and SKAA-compatible wireless devices, plus wired AUX and USB connections.

3c. What's in the Box

Each Bass50 is shipped fully assembled and ready to go, with a dedicated accessories box included beneath the main unit. All essential hardware is either pre-installed or neatly packed inside. Below is a breakdown of what comes in the box:

Assembled Speaker (Pre-Installed Components)



Bass50 Subwoofer **x1**



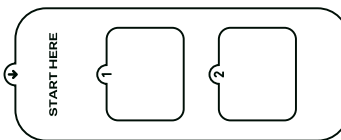
Bass50 Carrying Strap **x1**



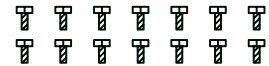
Bass50 Battery **x1**



Battery Cover **x1**



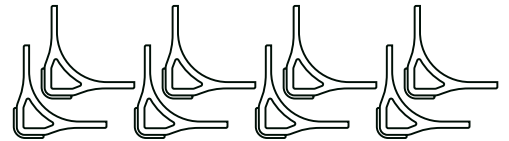
Adhesive Plastic Quick Start Sheet **x1**



9/16" Hex Bolts **x14**

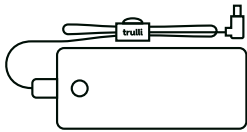


Quick-Disconnect (QD) Hex Bolts **x2**

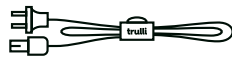


Bass50 Feet **x8**

Accessories Box



Wall Charger Power Supply w/ Velcro Strap **x1**



Wall Charger Cable w/ Velcro Strap **x1**



12V DC Vehicle Charger w/ Velcro Strap **x1**



9/16" Hex Bolt Tool **x1**



Trulli Sticker **x1**

Before setup, double-check that all items are present. If anything appears to be missing or damaged, visit TrulliAudio.com/pages/contact-trulli-audio. We're here to help.

3d. Quick Start Overview

Setting up your Bass50 for the first time is simple and quick. The unit arrives partially charged, so you can begin setup immediately out of the box.



Charge While You Unbox

We recommend fully charging your Bass50 before use.



Follow the Online Setup Guides

Scan the code, choose a setup, and follow the assembly and connection guides.



Get the App

Download Trulli Audio from the App Store or Google Play.



Open the App (Don't Pair in Settings)

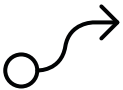
Launch the app to connect. **Do not** use your phone's Bluetooth settings.



Allow Permissions

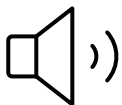
Allow all requests.

Android: Allow app to run in the background. Select: "Allow all the time".



Follow the Setup Flow

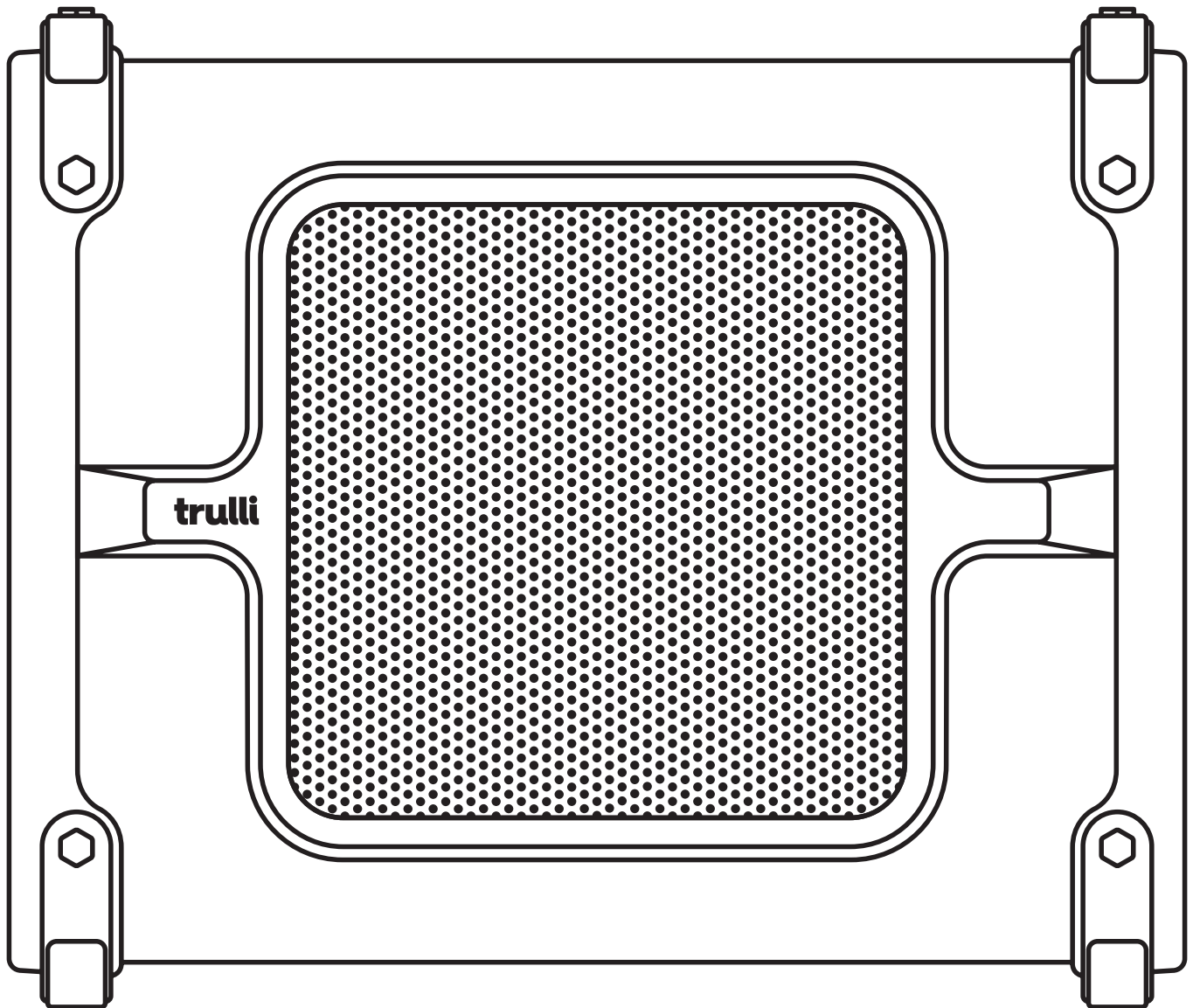
The app walks you through pairing, sound profile, and sync.



Start Listening

Begin audio playback from your source device of choice.

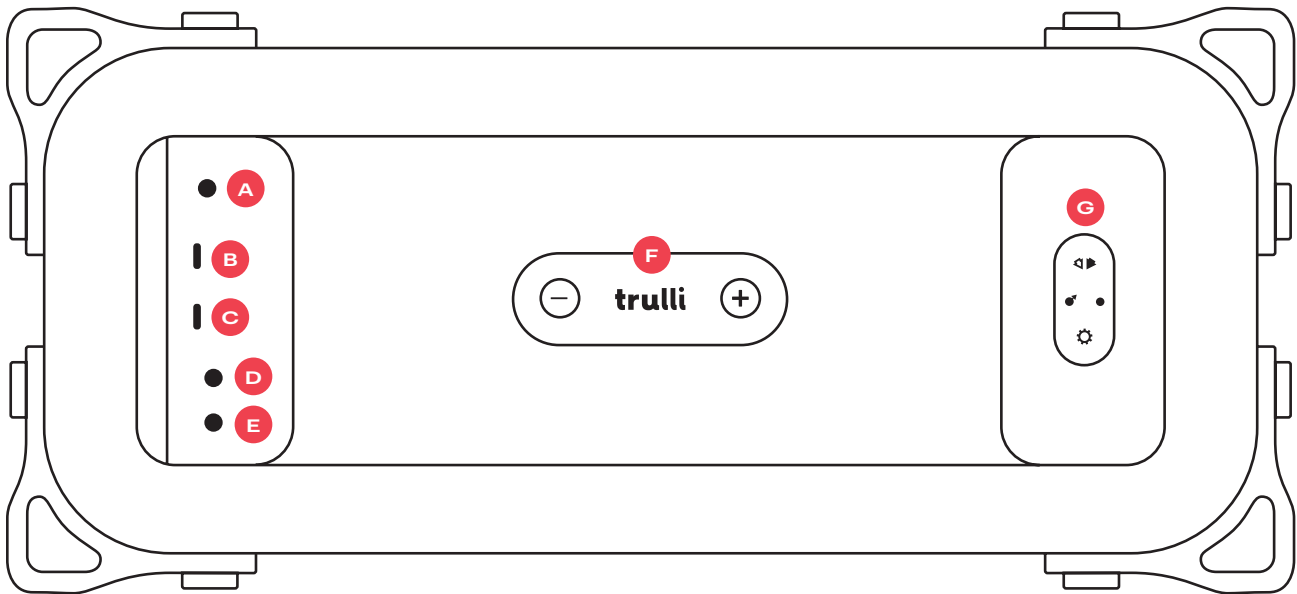
4. Operating Your Bass50 Speaker



4a. Inputs, Outputs, and Controls

The Bass50 is designed with simplicity and versatility in mind. Below, you'll find an overview of each input, output, and control, so you can get connected and start listening.

Note: The inputs, outputs, and SKAA controls are secured under protective doors.



Inputs & Outputs

- A Power:** charge your Bass50's battery by connecting one of the Bass50 chargers here. We recommend fully charging your Bass50 before use.
- B USB-C In:** send audio to the Bass50 from another device via USB-C cable.
- C USB-C Out:** send audio from the Bass50 to another device via USB-C cable.
- D AUX In:** send audio to the Bass50 from another device via 1/8" AUX cable.
- E AUX Out:** send audio from the Bass50 to another device via 1/8" AUX cable.

Controls

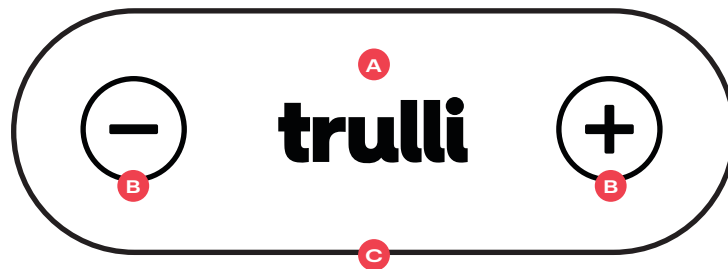
- F Main Controls:** this section includes three buttons which control the primary functions of your Bass50.
- G SKAA Controls:** this section includes two buttons which control the SKAA wireless functions of your Bass50.



4b. Using the Main Controls

The Main Control Panel provides quick control of essential functions and visual cues keep you informed.













The **trulli** button (center), along with the \ominus and \oplus buttons, gives you quick, intuitive control: power on/off, volume and bass adjustments, and easy pairing. The LED ring around these buttons works in sync to show you exactly what's happening, like battery level, pairing status, and volume changes.



Main Control Panel Overview

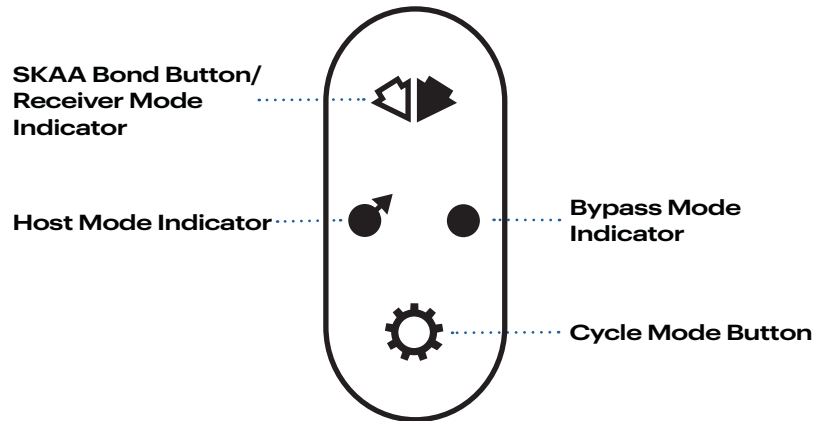
- A** The **trulli** button (center) powers on and off and more.
 - B** The \ominus and \oplus buttons adjust volume, bass gain, pairing, battery level, Factory Reset.
 - C** The LED ring surrounding these buttons is used to show pairing mode, battery level, volume changes, and more.
- Each button can be used alone or in combination to access different features. These will be detailed in the “Using the Main Controls” section that follows.
 - Audio Prompts: confirm certain actions. These short tones make it easy to stay in tune with what’s happening, even when you’re not looking at the lights.

4b. Using the Main Controls (Cont.)

Function	Button(s) Pressed	Button Action	Trulli and Ring LED Status	Audio Prompt
Power On	trulli	Press and hold for 1 second	Trulli turns white, Ring flashes red	No
Standby (Low Power Mode and Connectable)	trulli	Press and hold for 1 second	Trulli turns off	No
Power Off	trulli	Press and hold for 7 seconds	LEDs turn off	No
Enter Bluetooth Pairing	 	Press and hold for 1 second	Ring moves clockwise	Yes
Bluetooth Audio Connected			Ring fills completely, Trulli turns blue for 2 seconds, then white	Yes
Cancel Bluetooth Pairing	 	Tap	Ring animation canceled	Yes
Bluetooth Pairing Timeout		2 min (5 min if factory reset)	Ring animation canceled	Yes
Master Volume Up		Tap or hold	Ring increases clockwise	No
Master Volume Down		Tap or hold	Ring decreases counterclockwise	No
Bass Gain Up	trulli 	Tap or hold	Ring increases to the right	No
Bass Gain Down	 trulli	Tap or hold	Ring decreases to the left	No
Display Battery Level	 	Tap	Ring indicates battery level	No
Factory Reset	 	Press and hold for 12 seconds	Ring moves clockwise	No
Hard Reset	trulli	Press and hold for 10 seconds	None	No
Switch Between SKAA Pro and Consumer Modes	trulli	Tap twice	Pro mode – plus symbol illuminates Consumer Mode – minus symbol illuminates	No

4c. SKAA Controls Guide

The SKAA controls on your Bass50 are located beneath a protective door at one end of the unit. These buttons allow you to cycle through SKAA connection modes based on your system setup. Integrated SKAA technology provides low-latency wireless transmission and reception with exceptional reliability, even in environments with heavy wireless interference.



SKAA Control Panel Overview



Cycle Mode Button

You can cycle through connection modes by pressing the cycle mode button. LED indicators will illuminate to indicate which mode you are in.



Host Mode

The Bass50 acts as the main speaker (transmitter). Connect your device directly to the Bass50, then send audio to other SKAA-enabled speakers. Icon will illuminate in white when this mode is active.

Common use: when connecting with SKAA-compatible speakers.



Bypass Mode

SKAA wireless transmission is disabled. Icon will illuminate in white when this mode is active.

Common use: when you're using the Bass50 with AUX or USB audio.



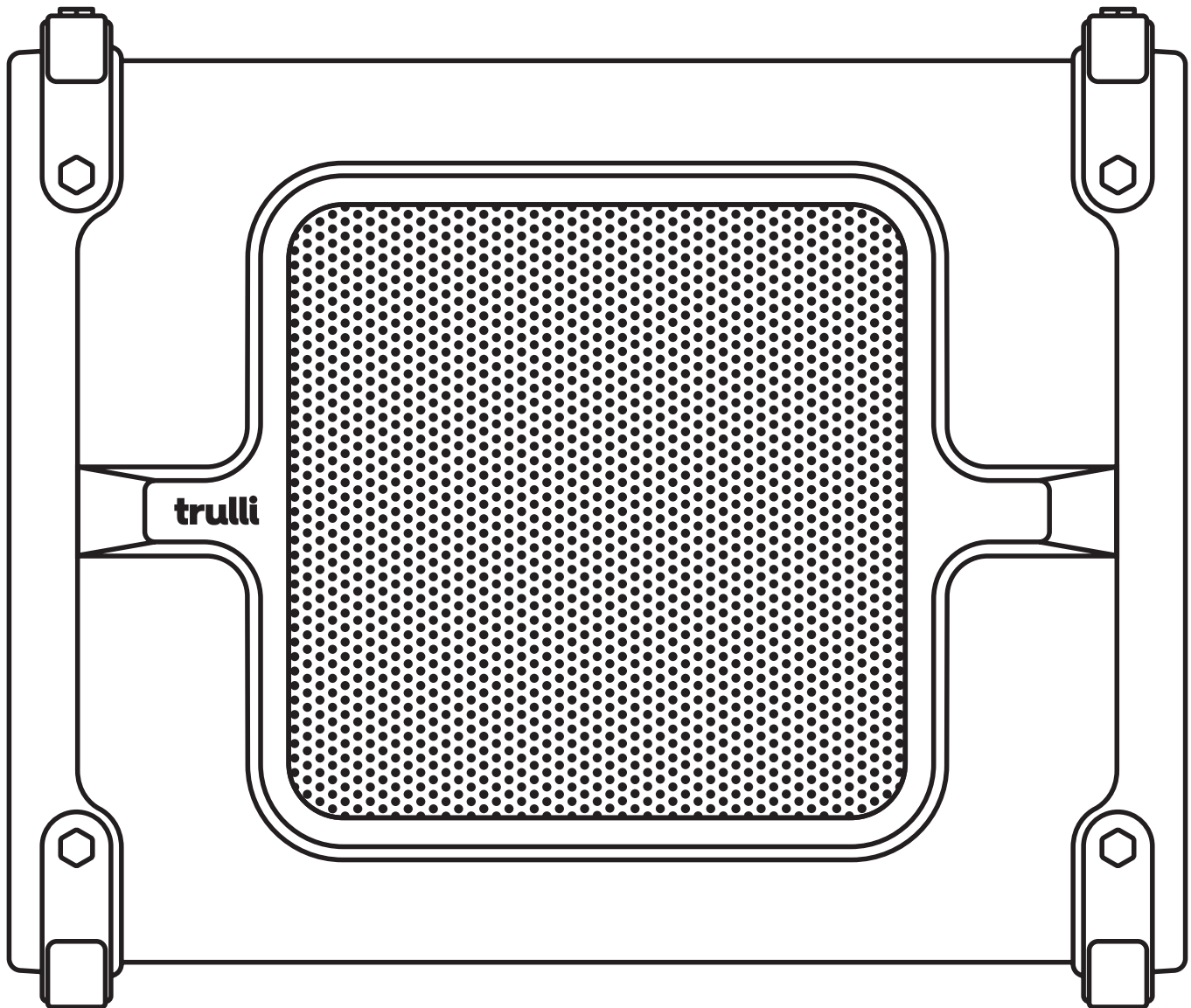
SKAA Receiver Mode

The Bass50 acts as a receiver, wirelessly connecting to other SKAA-enabled devices (like a SKAA transmitter or another Bass50 in Host Mode). Icon will illuminate in different colors when this mode is active. See Section 8b for more information.

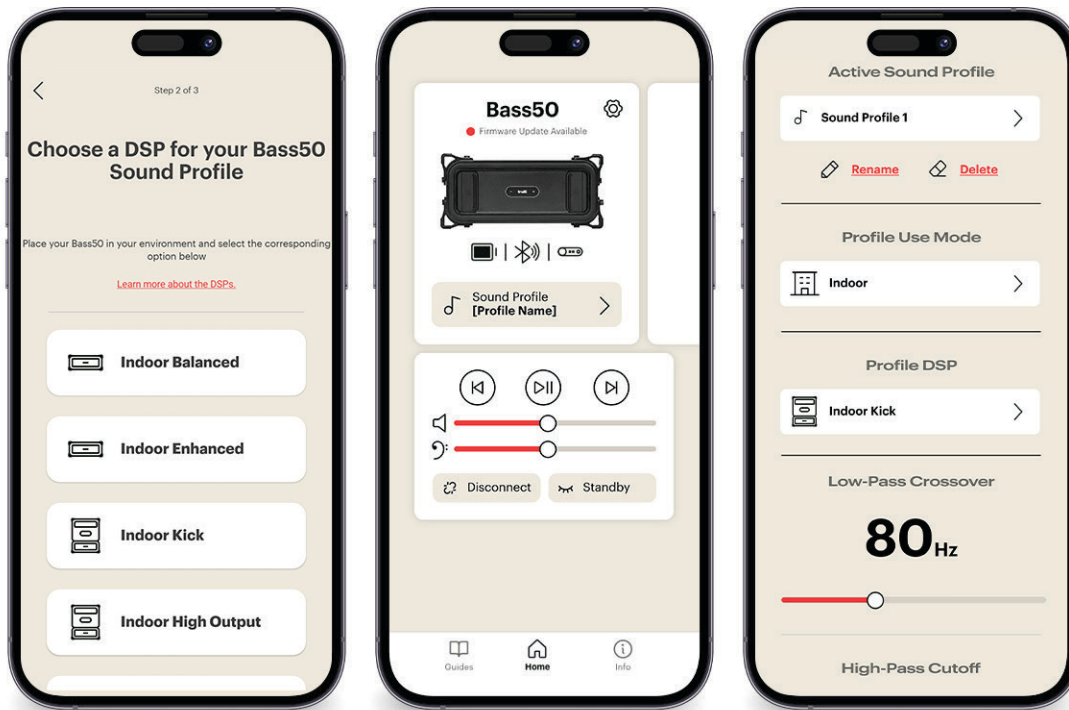
For further details regarding SKAA commands, bonding procedures, Green List management, and clustering capabilities, please refer to **Section 8b: SKAA**.



5. Using the Trulli App



5a. Minimum System Requirements

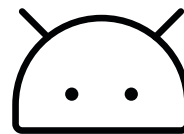


The Trulli app is more than just a companion, it's the central interface for unlocking the full power and flexibility of your Bass50. With it, you can control every major function of the subwoofer. From basic volume control to advanced audio tuning, profile management, and firmware updates. This section walks you through each feature of the app and explains how to use it to get the best performance from your system.



iOS version (minimum):

v16.6

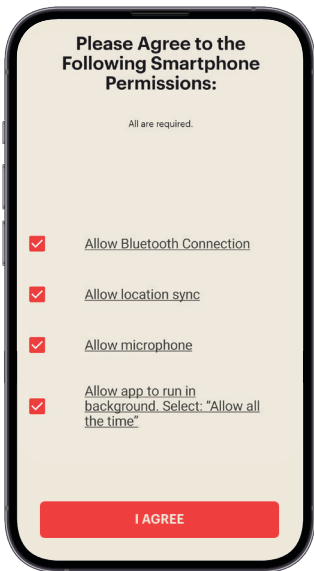


Android version (minimum):

v8

5b. Walk-Through Guides: First Time Use

When you open the Trulli app for the first time, you'll begin a guided onboarding experience designed to make setup simple and intuitive, even for first-time users.



Before proceeding, the app will request key phone permissions that are required for full functionality:

Bluetooth Access:

Enables control and audio streaming to your Bass50.

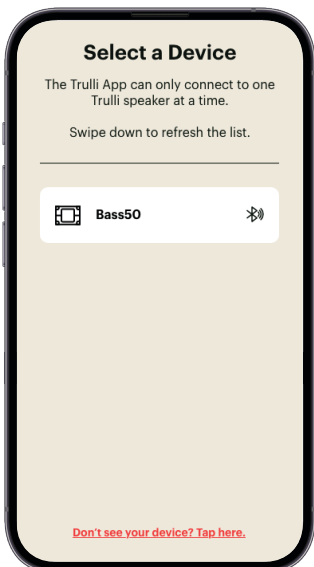
Microphone Access:

Required to run Time Correction for synchronizing the Bass50 with your existing audio system.

Background App Permission:

Allows you to control music playback from other apps while the app runs in the background.

These permissions must be accepted to continue.

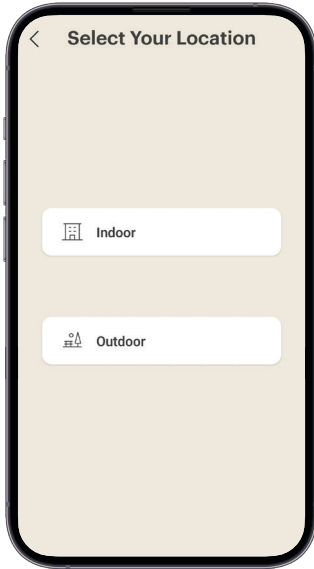


Once permissions are granted, the app will prompt you to power on your Bass50. It will then scan for nearby Trulli devices in pairing mode. Select your Bass50 from the list.

Note

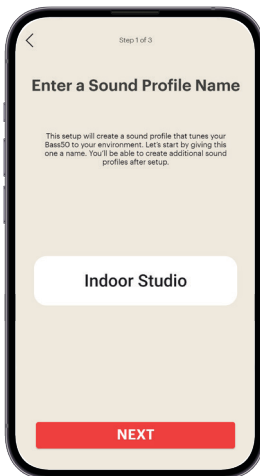
Always pair through the Trulli app, not through your phone's Bluetooth settings.

5b. Walk-Through Guides: First Time Use (Cont.)

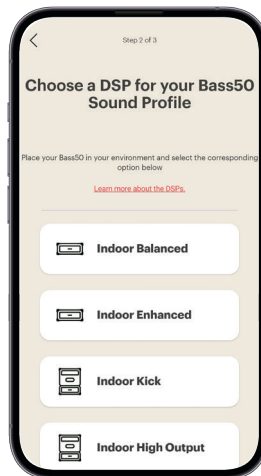


Next, you'll be asked to define your setup environment. For example, whether you're using the Bass50 indoors or outdoors.

Based on your answers, the app will guide you through tailored steps including:



Creating a sound profile

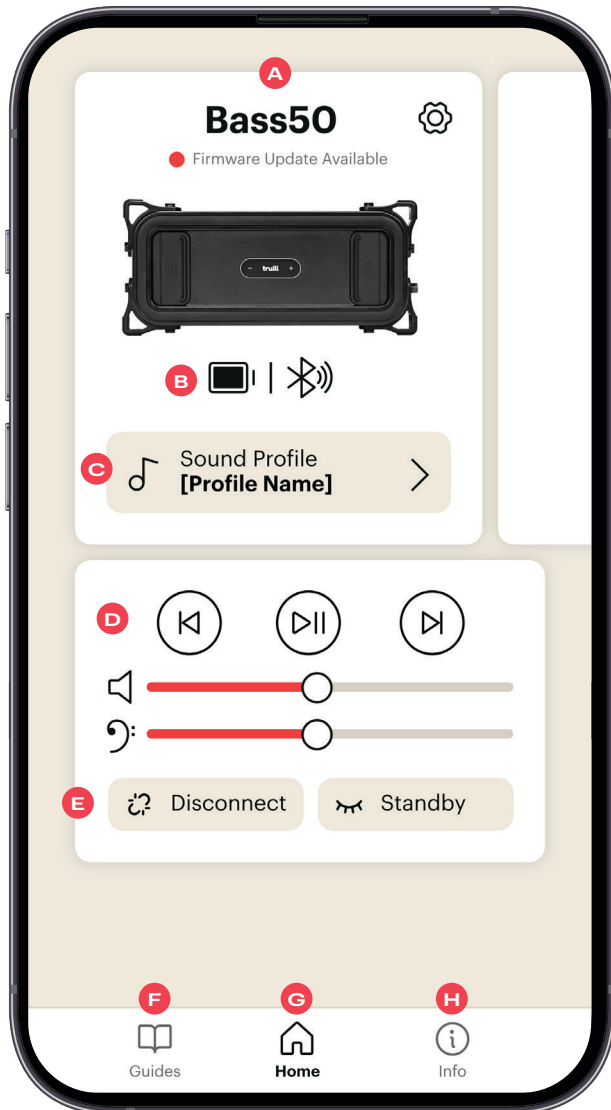


Choosing your built-in-DSP

Helpful tooltips will appear throughout the walkthrough, giving you full confidence even if you're not tech-savvy.

5c. Home Screen Controls

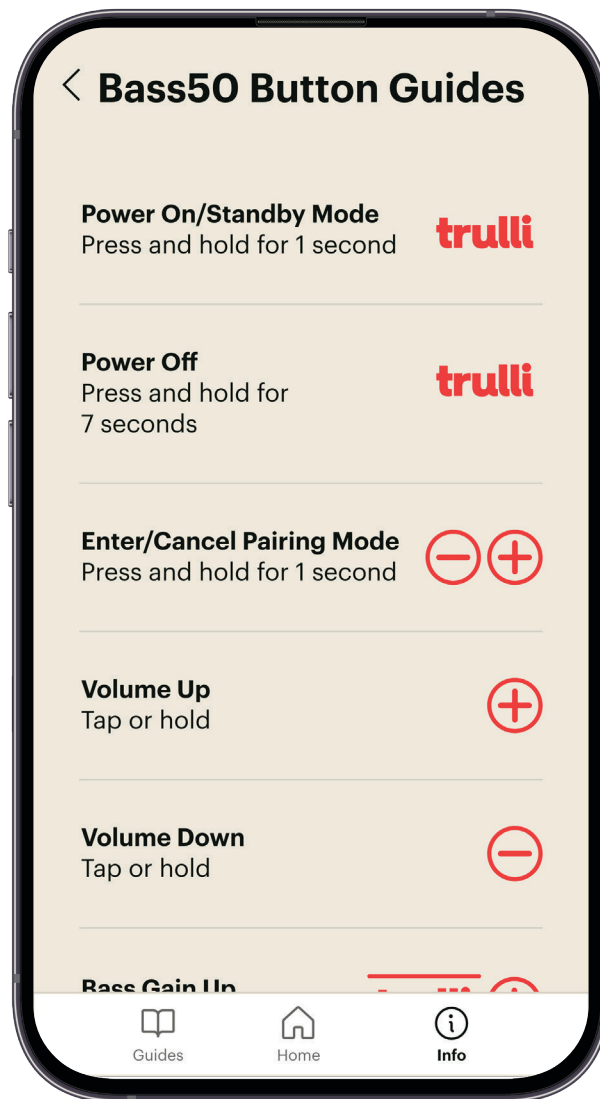
After setup, the app's home screen becomes your main control hub. From here, you can power the Bass50 on or off, control the main volume, mute audio, check the battery level, and access core settings. Battery status is displayed with an easy-to-read icon and updates in real time.



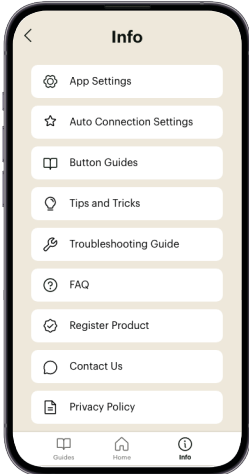
- A Device Header:** Displays your Bass50's name. If a firmware update is available, it will appear directly underneath. Tap the gear icon next to the name to access the System Settings menu.
- B Device Status:** This visual shows your connected Bass50 along with real-time battery level and Bluetooth connection strength.
- C Sound Profile & Settings:** The active sound profile is displayed prominently. Tap this section to adjust DSP settings like EQ, Time Correction, and other tuning options. This is where you can create a new Sound Profile as well.
- D Playback & Volume Controls:** Control playback directly from the app, including previous track, play/pause, and next track. Use the two sliders below to adjust overall system volume (Master Volume) and subwoofer level (Bass Gain). Pressing the speaker icon will mute/unmute the master volume. Pressing the bass clef icon will mute/unmute the Bass50.
- E Standby / Disconnect Controls:** Quickly place the Bass50 in Standby mode (low power but still connectable) or fully Disconnect to allow another user to connect.
- F Guides:** Tap to access visual walkthroughs for physical buttons and controls on the Bass50.
- G Home:** Returns you to this main control screen at any time.
- H Info:** Opens the Help section with FAQs, troubleshooting tools, contact options, and more.

5d. Button Guides

At the bottom of the Trulli App, you'll find three core navigation buttons: **Guides**, **Home**, and **Info**. The Guides button is your gateway to quick-reference guides for the physical buttons and controls on your Trulli devices.



5e. Help/Info Pages



The Info section in the Trulli app is your gateway to helpful resources, product settings, and support. It's designed to give you quick access to everything you need to manage your Trulli devices and stay informed about new features.

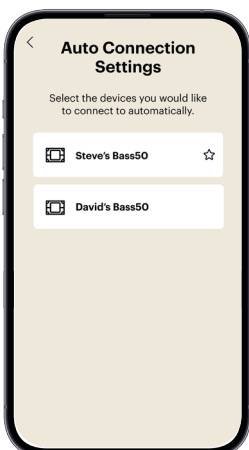


App Settings

Choose between display modes: Device Default, Light Mode, or Dark Mode for better readability.

View both the Latest App Version and your Installed App Version.

Clear the app's cache. If you've changed the name of your Bass50, this will remove the data in the app. (Only available in iOS)



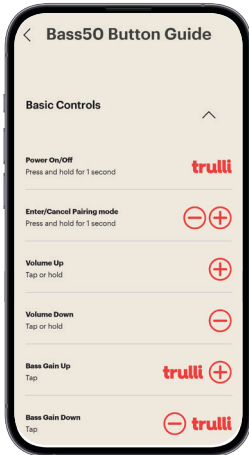
Auto Connection Settings

This section allows you to select which of your paired devices should auto-connect when available. Simply tap on a device to add a star icon, indicating it's your preferred choice for automatic connections.

Note

Only one Bass50 can be starred for auto-connection at a time.

5e. Help/Info Pages (Cont.)



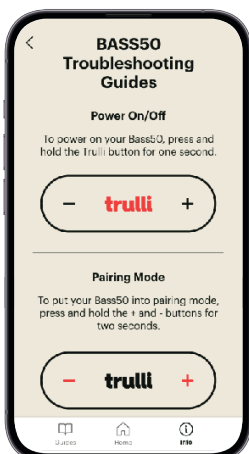
Button Guides

Quick reference guides to the physical buttons on your Bass50.



Tips and Tricks

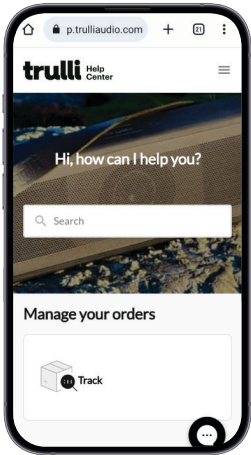
Explore helpful suggestions and best practices for your Bass50.



Troubleshooting Guide

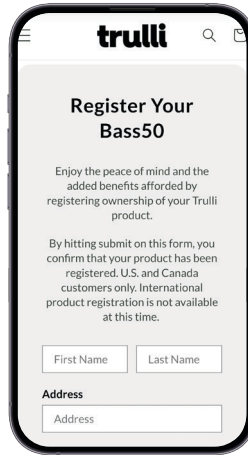
Troubleshoot common issues with step-by-step guides for your Bass50.

5e. Help/Info Pages (Cont.)



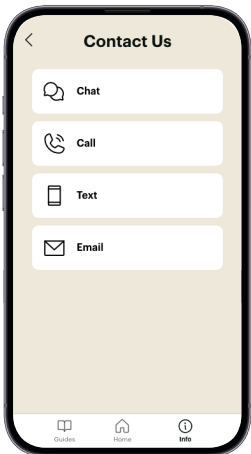
FAQ

Quick access Trulli’s full online help center with a large list of frequently asked questions and in-depth product support articles.



Register Product

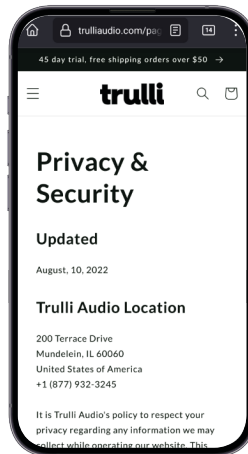
Provides quick access to Trulli’s online product registration, ensuring priority support and other customer benefits.



Contact Us

Reach out to Trulli Audio support directly via:

- Chat
- Call
- Text
- Email

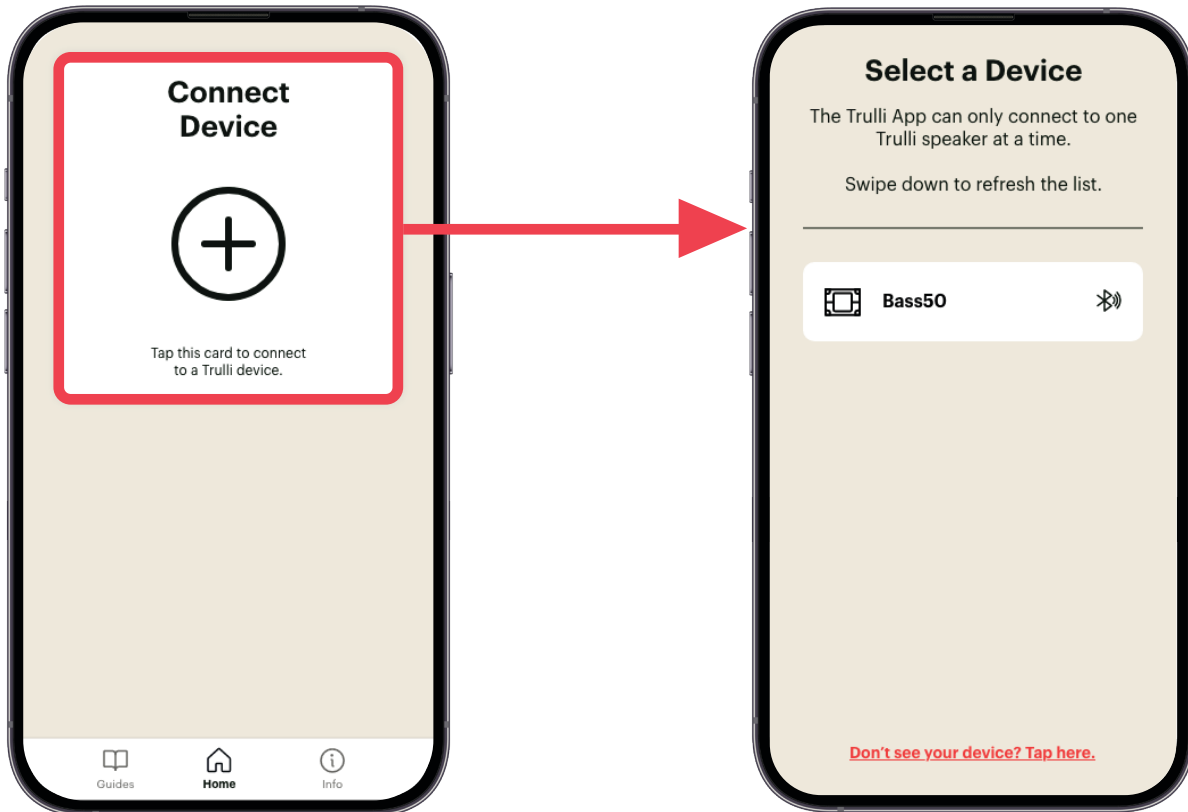


Privacy & Security

Provides quick online access to Trulli’s Privacy Policy information.

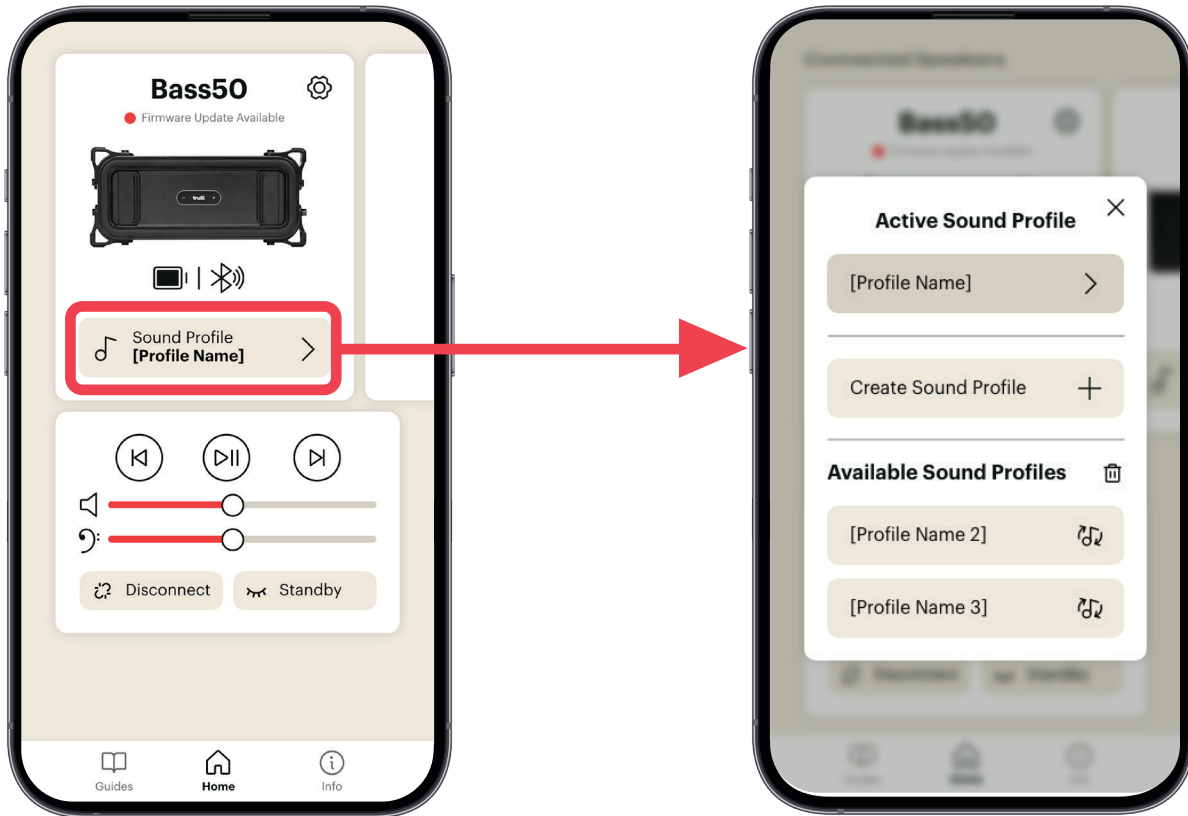
5f. Connect a Device

This screen appears when your app is not connected to any Trulli devices. Tap the “+” button to search for available Trulli-compatible devices nearby. If you’re connecting to a new Bass50 for the first time, the app will guide you through creating its initial sound profile.



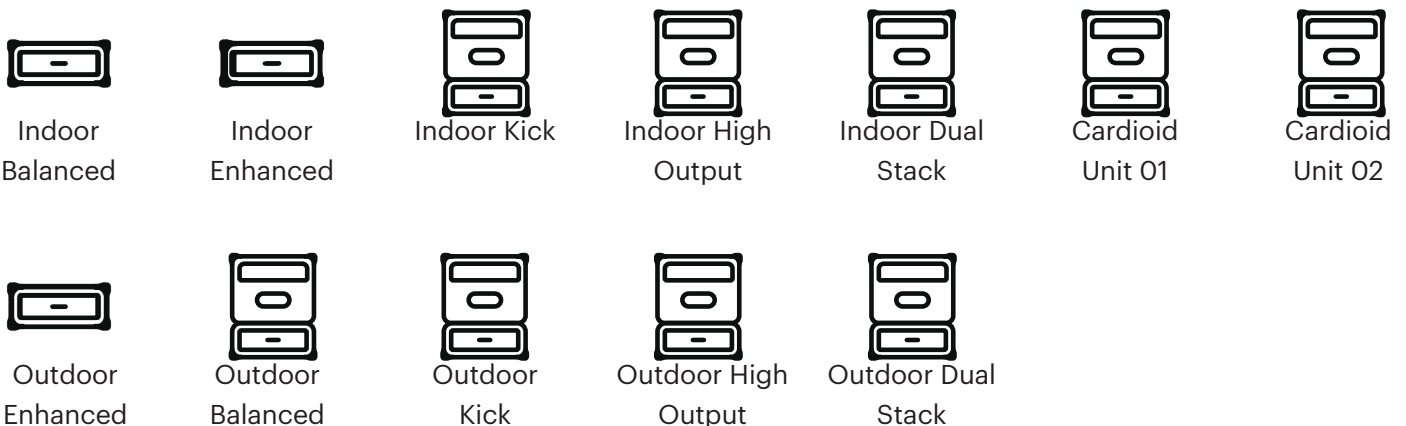
5g. Bass50 Sound Profiles

Your listening environment has a profound impact on how bass behaves. Reflections, surfaces, and room size all influence the clarity, impact, and smoothness of low frequencies. To help with this, the Bass50 includes multiple DSP profiles designed for a variety of acoustic conditions.



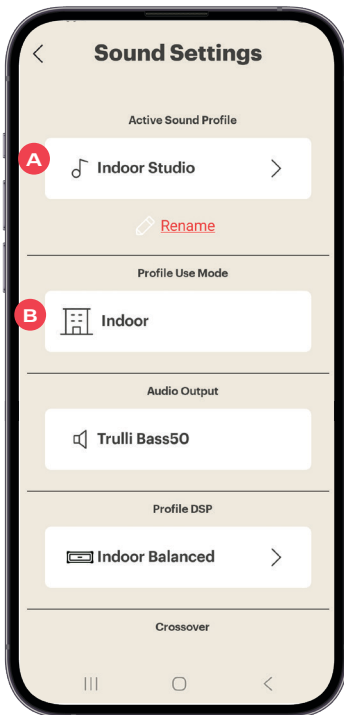
Available Speaker Placements:

The Bass50 comes preloaded with the following acoustic environment profiles. These are designed to give you a great starting point based on typical usage scenarios:

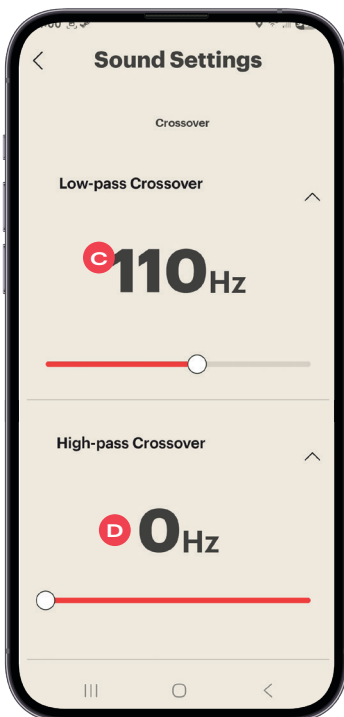


5h. Sound Profile Settings

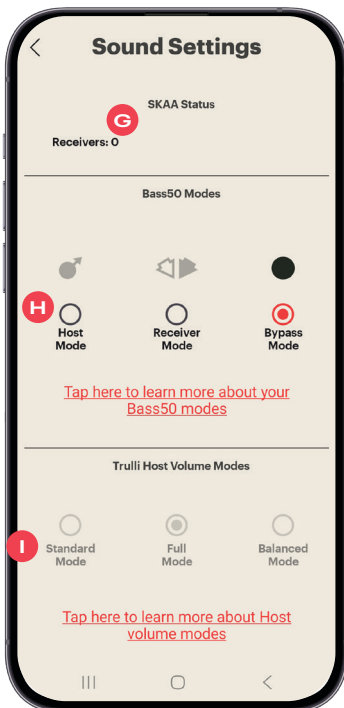
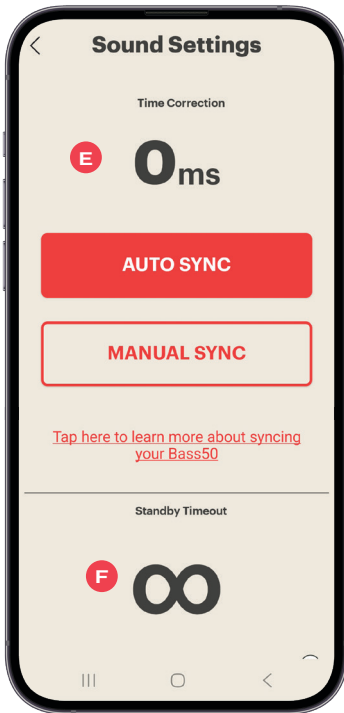
The **Sound Settings** screen gives you complete control over the Bass50's audio behavior. You can access this section by tapping the sound profile bar on the Home Screen or through the System Settings menu. Each section includes helpful "Learn More" links for advanced tuning, including crossover points, time correction, and operating modes.



- A Active Sound Profile:** Your current sound profile is displayed at the top. Tap this bar to rename your profile. This is helpful for labeling environments or use cases.
- B Speaker Placement:** Choose the acoustic environment where your Bass50 is placed. These options automatically adjust the DSP to better suit your selected environment. For more guidance, refer to Section 5g: Bass50 Sound Profiles.
- C Low-Pass Crossover:** Use this slider to set your subwoofer's low-pass crossover point. This determines the highest frequency your Bass50 will reproduce.
 - Range: 70 - 225 Hz
 - Default: 110 Hzz
- D High-Pass Crossover:** Use this slider to filter out extremely low frequencies. This helps reduce rumble or resonance in some systems.
 - Range: None (default) up to 150 Hz



5h. Sound Profile Settings (Cont.)



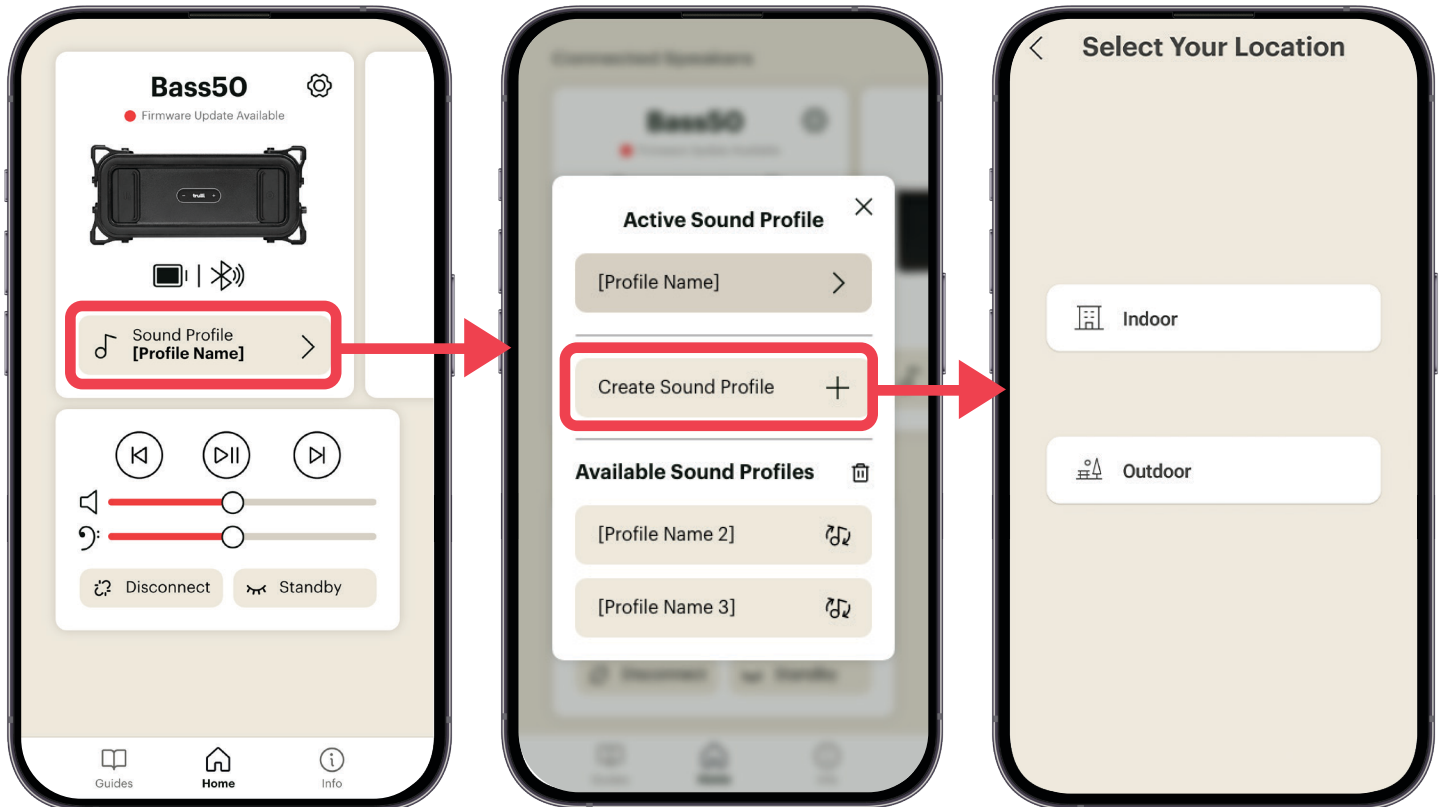
- E Time Correction:** Time Correction aligns your Bass50 with your main speakers, so the sound reaches your ears in perfect sync.
 - Auto Sync: Uses your phone's microphone to detect speaker delays and apply correction automatically.
 - Manual Sync: Use +/- controls to adjust delay in 100ms, 10ms, or 1ms increments.
- F Standby Timeout:** Set how long your Bass50 remains active with no audio signal before entering Standby Mode. Options range from 20 minutes to infinity (no timeout). This helps conserve battery when idle.
- G SKAA Status:** Shows the SKAA receivers currently connected to your Bass50. This gives you a quick way to confirm which devices are active in your wireless chain. For details on SKAA connection types, pairing, and mode options, see Section 8b: SKAA.
- H Bass50 Modes:** Choose your Bass50's SKAA mode:
 - **Host Mode:** Sends audio wirelessly to other SKAA receivers
 - **Receiver Mode:** Receives audio wirelessly from a SKAA transmitter
 - **Bypass Mode:** Disables SKAA radio when not using other SKAA devices
 Each mode includes a description and a link for more detail.
- I Trulli Host Volume Modes:** This feature is enabled when the Bass50 is in Host Mode. These are audio gain settings to a SKAA receiver. Balanced Mode is the general-purpose setting that is most compatible with AUX inputs. Standard Mode and Full Mode are "hotter" or larger signal audio and only to be used with systems that can handle it. If you are experiencing static or distortion, chances are it is too "hot", so go back to Balanced Mode.

Select how your Bass50 outputs signal to connected SKAA receivers:

- Standard Mode
- Full Mode
- Balanced Mode

5i. Adding More Profiles

The Bass50 supports multiple sound profiles, and you can create a new one at any time. Each profile stores DSP settings, crossover adjustments, Time Correction data, and sound orientation. Profiles are stored onboard the Bass50 and travel with it, not your phone, so changes persist even when switching devices.



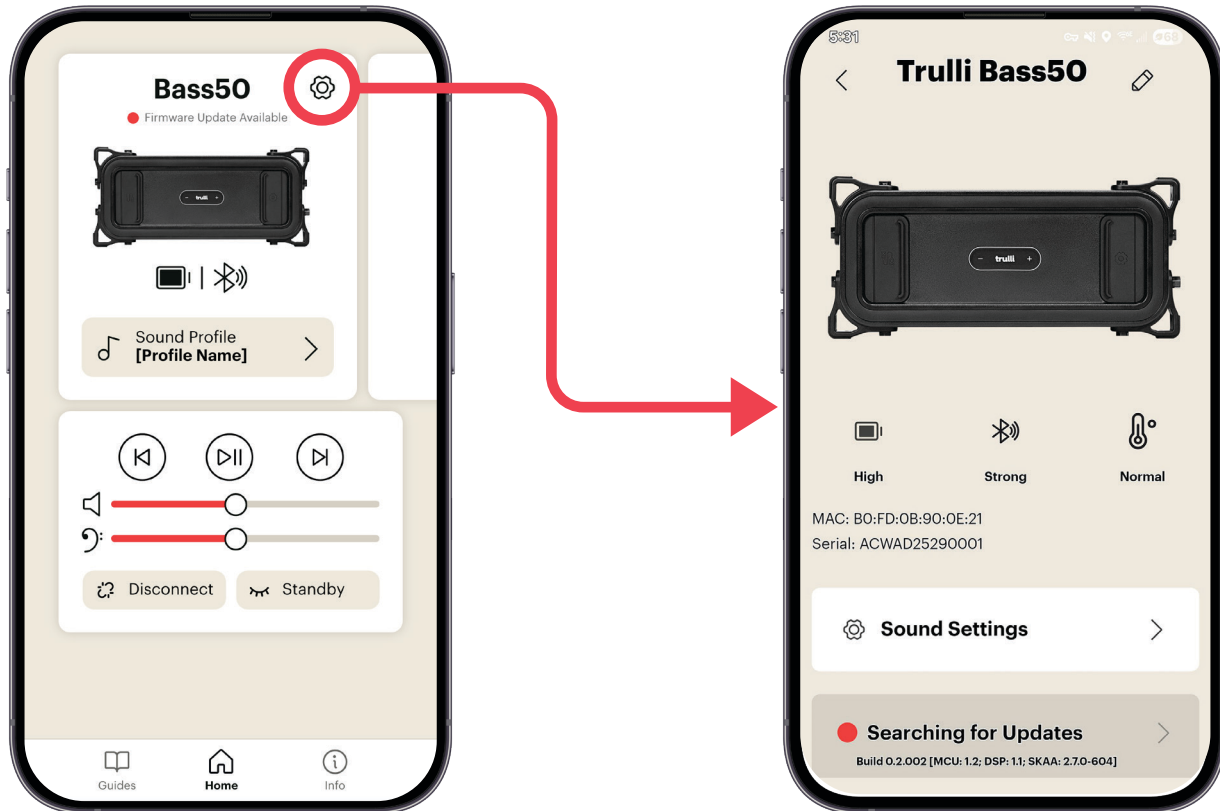
From the home screen, tap the Sound Profile button to open the Sound Profile menu.

Then tap the Create Sound Profile button to start the process of adding a new profile.

Complete the guided flow to create your new sound profiles.

5j. System Settings

Tap the gear icon next to your Bass50's name on the Home Screen to access the full System Settings.

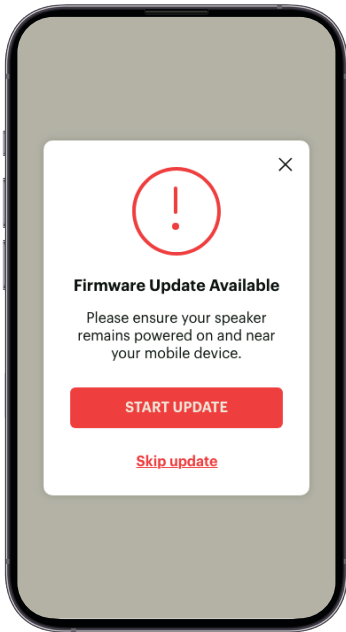


Here, you'll find your device's name, along with an option to rename it by tapping the pencil icon. The screen also shows a visual representation of your Bass50, battery level, connection type and signal strength, and the unit's temperature status.

Below this, you'll find the device's MAC address and serial number for easy reference.

You can enter the detailed Sound Settings menu from here or check your firmware version and update it if needed.

5k. Firmware updates for Bass50

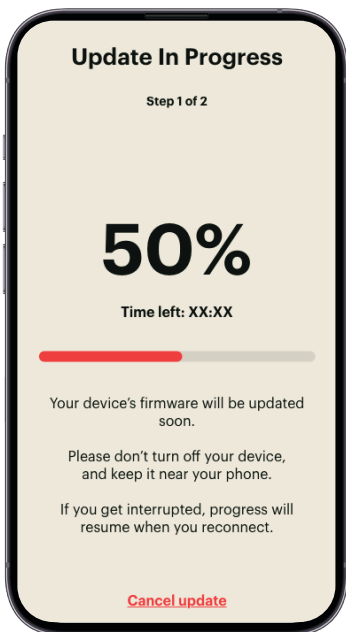


From time to time, Trulli Audio will release firmware updates for your Bass50, ranging from minor enhancements to new features. To ensure the best performance and user experience, we strongly encourage you to keep your Bass50 and mobile app updated regularly.

When a firmware update is available, you will see a notification within the app prompting you to perform the update. Occasionally, certain firmware updates may be mandatory. In these cases, the app will require you to complete the update before continuing usage.

Preparing for the Firmware Update

Before initiating a firmware update, ensure that your Bass50 battery is sufficiently charged. You can verify battery status by checking the battery indicator icon within the app. A red battery icon indicates a low charge, and the firmware update may be restricted. If the battery icon is red, please connect the Bass50 to the Trulli wall charger to continue with the update.



Additionally, make sure your phone's battery level is sufficiently charged and not critically low. Ensure your internet connection remains stable when initiating the firmware update. Once the update is in progress and you see the progress percentage displayed, maintaining an internet connection is no longer required.

Updating Your Bass50

The update occurs through an over-the-air (OTA) process, during which you can monitor progress in real-time within the app.

File Transfer:

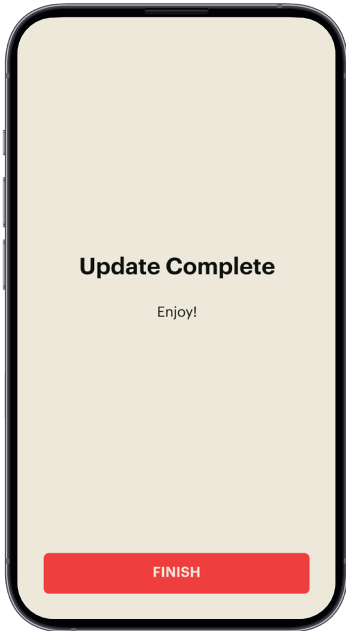
- iOS: Approximately 10 minutes.
- Android: Approximately 5 minutes.
- The app displays a progress percentage and countdown timer.

Programming the Bass50:

- Approximately 3-5 minutes.
- The Bass50 may reboot once or twice during this step, depending on the update type.
- Progress is displayed with a percentage and timer countdown.

Upon successful completion, you'll receive a notification within the app confirming the update.

5k. Firmware updates for Bass50 (Cont.)



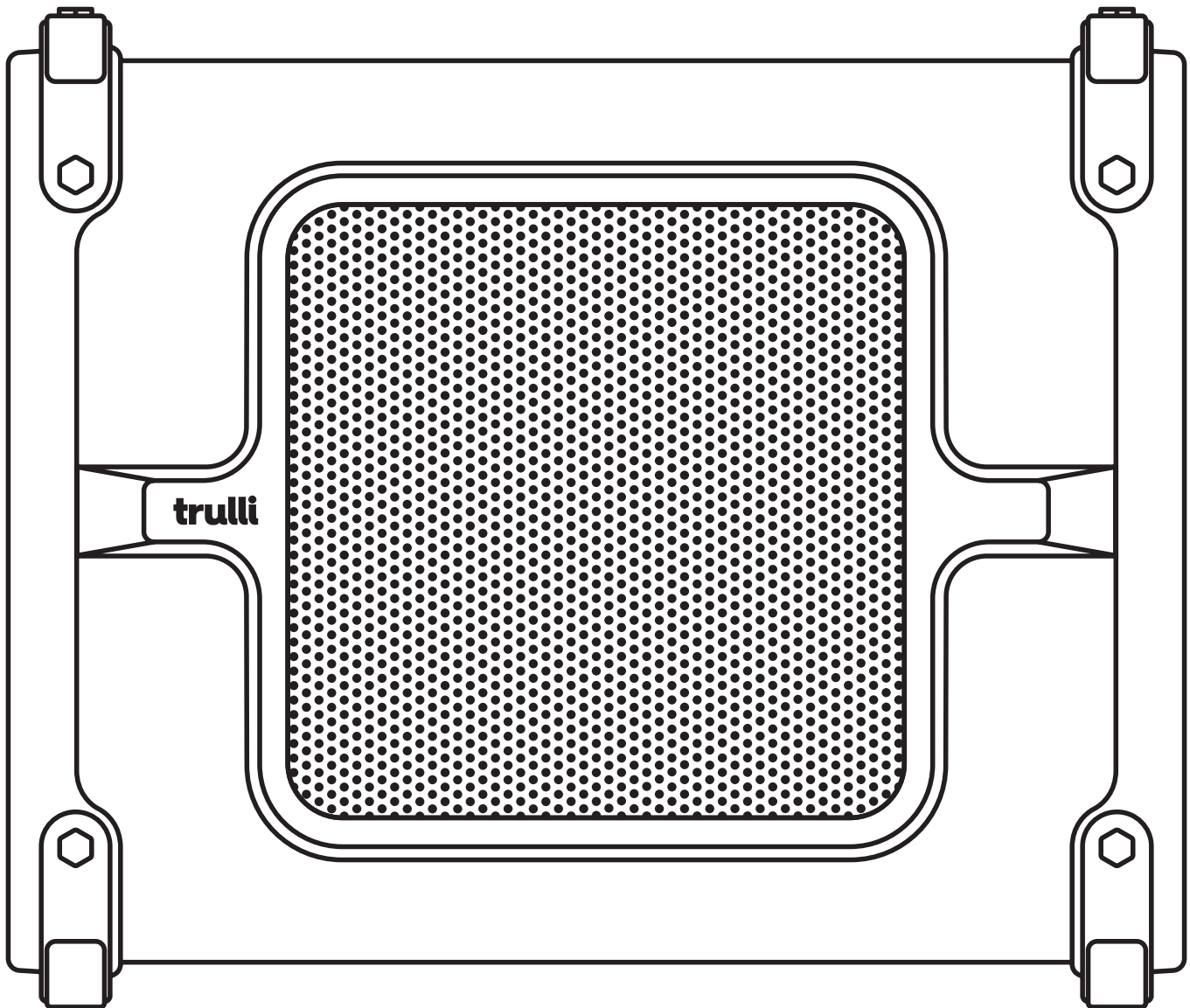
Firmware Update Process

- Approximately 1 minute to complete.
- Progress percentage and countdown timer are displayed during the update.
- A confirmation notification appears in the app once the update is complete.

Important Notes

- Firmware updates cannot be rolled back. Each update moves forward with improvements and new features.
- Keep your Bass50 connected to power throughout the update processes to avoid interruptions.
- If you have any questions or encounter any issues during the firmware update process, please refer to the Troubleshooting and FAQ section, or contact Trulli Audio Support.

6. Application Guides: Modes of Operation



The Bass50 is designed to fit a wide range of setups. With flexible input/output options and SKAA wireless, it can serve as your main subwoofer, a system hub, or part of a larger multi-speaker configuration. This section outlines the most common setups and best practices. Choose the configuration that matches your system to get the best performance.

6a. Audio Routing & Best Practices

The Bass50 supports multiple input and output methods, including Bluetooth, USB-C, AUX, and SKAA, giving you the flexibility to adapt to virtually any audio setup. Whether you're connecting to a phone, computer, or DJ mixer, the Bass50 intelligently manages incoming signals and routes audio to all active devices. Playback can be controlled from the physical panel, the Trulli app, or both. The app provides full access to connection settings, SKAA modes, sound profiles, and more, allowing you to connect, transmit, and fine-tune your system wirelessly. Understanding how the system prioritizes, or mixes inputs will help you get the most from any configuration.

Inputs and Outputs Overview

Inputs: The Bass50 includes four input methods:

- **Wired:** USB-C and AUX
- **Wireless:** Bluetooth and SKAA Receiver Mode

Outputs: Output is always active through:

- **AUX Out**
- **USB-C Out**
- **SKAA Host Mode**

These outputs mirror the current active audio input, regardless of which input source is active, allowing you to relay signal to additional devices, speakers, or systems.

Note

SKAA Host and SKAA Receiver cannot operate at the same time.



6a. Audio Routing & Best Practices (Cont.)

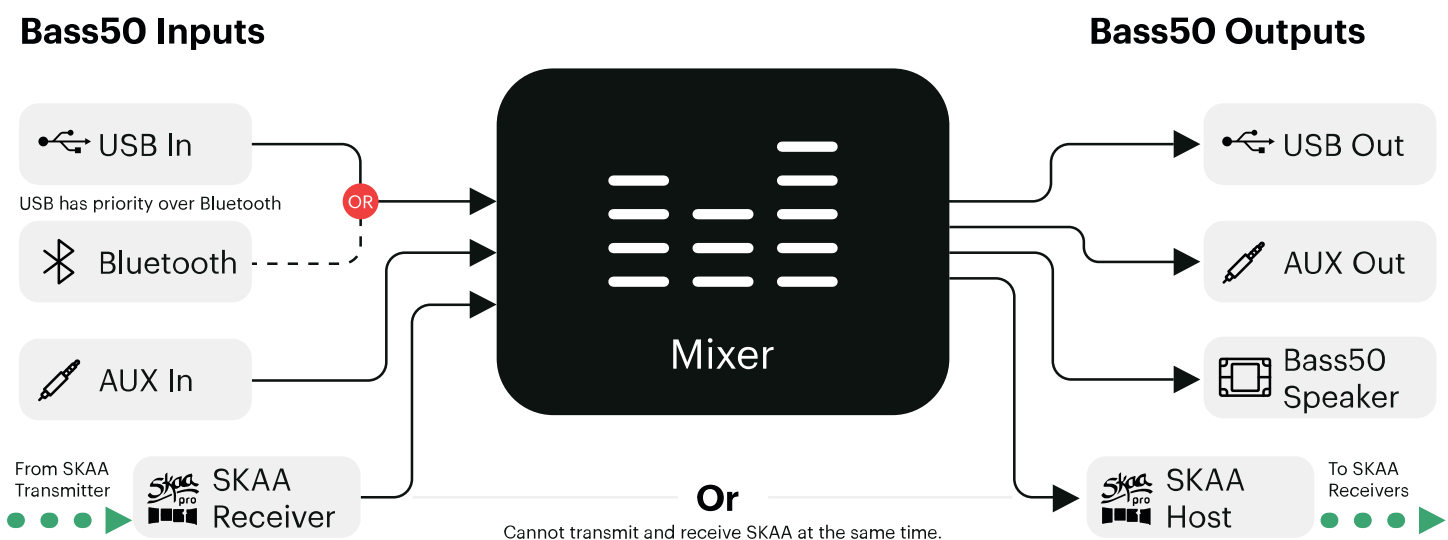
Input Priority & Mixing Behavior

Input Source	Mixes With	Overrides	Notes
AUX In	USB In, Bluetooth, SKAA Receiver	None	Always mixes in. No priority.
Bluetooth	AUX In, SKAA Receiver	None	Stops playing when USB In is active.
USB-C In	AUX In, SKAA Receiver	Bluetooth	Automatically overrides Bluetooth. Trulli button turns green for 2 seconds
SKAA Receiver	AUX In, Bluetooth, USB In	None	Cannot be active while SKAA Host is active.

Notes

- If USB-C In is connected, it becomes the primary source and disconnects Bluetooth audio automatically.
- SKAA Host Mode will transmit any currently playing audio, regardless of the source.
- The Bass50 cannot be in SKAA Host and SKAA Receiver modes simultaneously.

Signal Flow Overview



6a. Audio Routing & Best Practices (Cont.)

Audio Best Practices



USB-C In

Great for direct, high-quality audio from computers and tablets. To use USB-C In (e.g., from a computer), just connect a cable, Bluetooth will disconnect automatically.



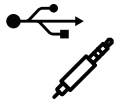
AUX In

Best for constant analog sources like interfaces, portable players, or older devices.



SKAA Host Mode

Enables wireless audio transmission to other SKAA-compatible receivers or Trulli speakers.

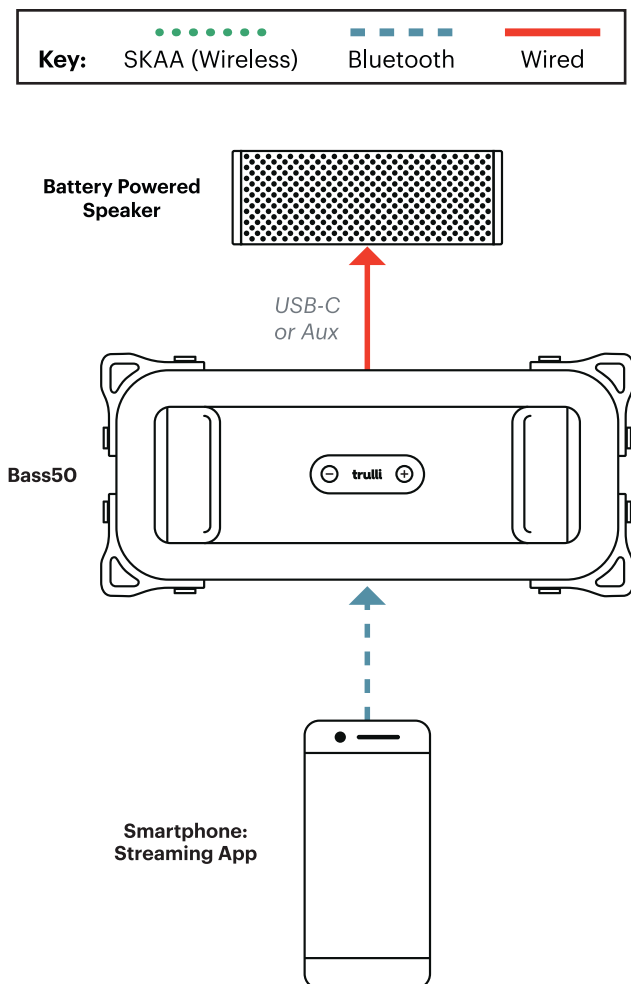


AUX & USB-C Out

Useful for chaining signal into other gear speakers or recording devices.

6b. With Portable/Battery-Powered Speakers

Most battery-powered speakers sound great, but often lack bass. The Bass50 solves that by giving your portable system the low-end it's missing, creating a powerful, fully mobile setup that doesn't compromise on impact.



Overview

Whether you're using a compact Bluetooth speaker or battery-powered PA, the Bass50 fills in the low end and turns your portable rig into a full-range experience. All you need is a speaker with a 1/8" AUX input or USB-C digital in/out, and you're good to go.

In this setup, the Bass50 acts as your central audio receiver. You connect to the Bass50 via Bluetooth (or wired, via the USB-C/AUX inputs), and then send audio out of the Bass50 into your speaker using a short AUX or USB-C cable. This way, the Bass50 handles the signal first. It delivers the low frequencies and passes the mid and high frequencies to the main speaker system.

Signal Flow

Bluetooth Device -> Bass50 -> AUX/USB Cable -> Portable Speaker

App Integration

Open the Trulli App to:

- Select the best Sound Profile for your environment
- Adjust Bass Gain and Time Correction for tighter sync

Note: Your portable speaker doesn't need to be SKAA-compatible. So long as it has an AUX or USB input, the Bass50 will feed it audio.

You'll Need

- Bass50
- Portable speaker with AUX or USB input
- AUX or USB-C cable (depending on input)
- Your phone or other Bluetooth device
- The Trulli App (recommended)

Learn More

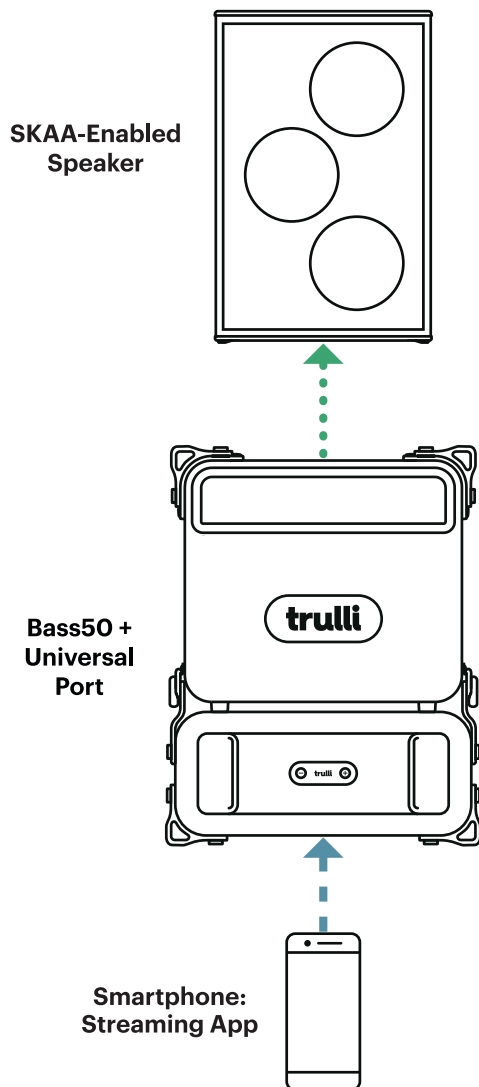
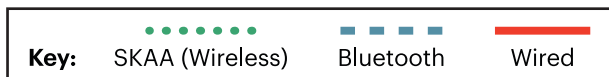
For full application guides, instructions, tips, and more, visit our application guides in our help center:

Help.TrulliAudio.com



6c. With SKAA-Enabled Speakers

The Bass50 is more than just a subwoofer: it's a fully SKAA-enabled device that can send or receive audio wirelessly. Whether you want to add more speakers or plug into a larger system, SKAA gives you flexible, low-latency connectivity with no complicated pairing process.



Overview

You can use the Bass50 to transmit audio to up to four SKAA-enabled speakers (Consumer Mode) or set it to receive audio from a SKAA transmitter, such as a powered speaker, another Bass50, or a SKAA dongle. Either way, you get crystal-clear signal flow without the mess of extra cables.

You'll Need

- Bass50
- Phone/tablet or Bluetooth device
- At least one SKAA-enabled speaker
- The Trulli App (recommended)

How to Connect

- **Bass50 as Host (Transmitter):**
Connect your phone via Bluetooth, AUX, or USB-C to the Bass50. Then wirelessly relay that signal to SKAA-enabled speakers nearby.

You can select SKAA mode directly from the Trulli App or by using the SKAA button on the Bass50.

Look for the Icon



Host Mode



Receiver Mode

Learn More

For full application guides, instructions, tips, and more, visit our application guides in our help center:

[Help.TrulliAudio.com](https://www.Help.TrulliAudio.com)



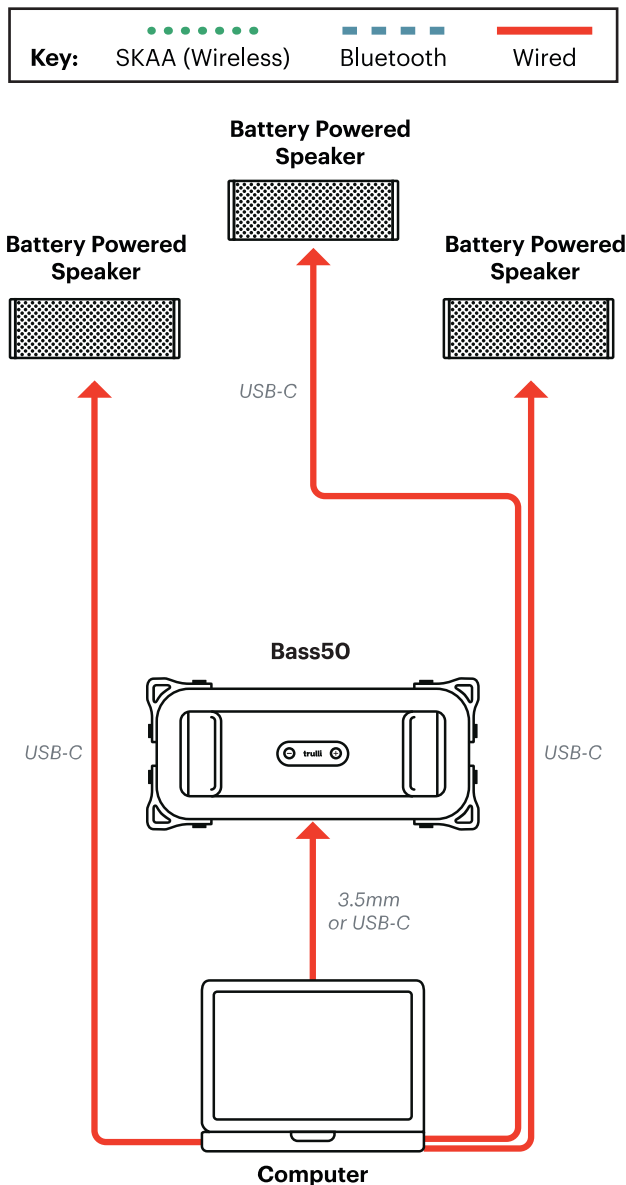
More information on SKAA technology and devices can be found at www.SKAA.com.
The SKAA™ word mark and trade mark are owned by Eleven Engineering Inc.

Questions? Call or text us 888.357.4199

www.TrulliAudio.com

6d. Studio/Content Creator

Turn your portable gear into a 3.1 studio system that is perfect for editing audio, creating content, or mixing a live set. This setup delivers full-range clarity and low-end accuracy without the need for heavy gear or permanent installation.



Overview

In this application, the Bass50 acts as your dedicated subwoofer, while your battery-powered speakers handle the left, right, and center channels. It's a great option for content creators on the go, mobile DJs, or musicians building a compact practice rig.

Using audio routing software on your laptop, you can assign output channels to each speaker. The Bass50 connects directly to your laptop via USB-C or 1/8" AUX and then passes the signal to your speakers using USB-C audio out. The result? A mobile 3.1 rig that's light, clean, and hits hard.

Signal Flow

Laptop w/ Routing Software -> Bass50 (USB-C or AUX In) -> Portable Speakers (USB-C Out)

What You'll Need

- 1x Bass50
- 3x Portable speakers with USB-C audio input
- Laptop with USB-C or 1/8" audio out
- Audio routing software (e.g., Loopback by Rogue Amoeba)
- USB-C and/or AUX cables

App Integration

Use the Trulli App to:

- Set the Sound Profile to Indoors: Studio
- Adjust Bass Gain and Time Correction if needed
- Monitor battery life, or fine-tune output behavior, and more

Learn More

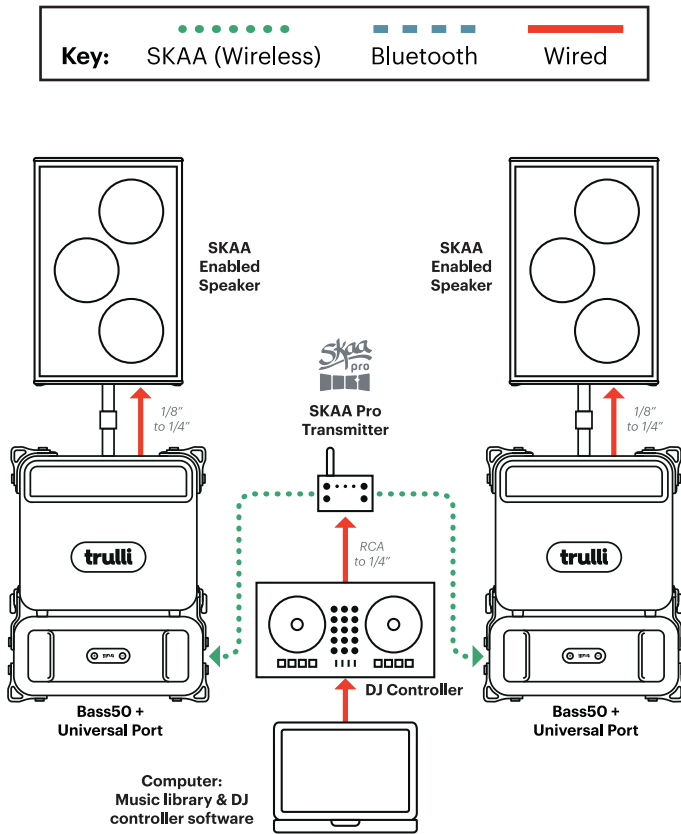
For full application guides, instructions, tips, and more, visit our application guides in our help center:

[Help.TrulliAudio.com](https://help.trulliaudio.com)



6e. DJ/Live Music

Whether you're spinning at a backyard party or headlining a small venue, the Bass50 makes it easy to add powerful, portable bass to your DJ setup, with or without cables.



Overview

This application showcases a portable DJ rig built around SKAA technology. Your laptop and DJ controller output audio via a SKAA Pro Transmitter, which wirelessly sends a high-quality signal to two SKAA-enabled speakers and two Bass50 units equipped with Universal Ports for extra bass reinforcement.

This setup keeps your rig clean and cable-free at the front of house. This is great for mobile DJs, live performers, and small venues where fast setup and teardown are essential.

Signal Flow

Laptop + DJ Software -> DJ Controller -> SKAA Pro Transmitter -> SKAA Speakers (L+R) -> Bass50s w/ Universal Ports (L+R or Mono Cluster)

What You'll Need

- 2x Bass50
- 2x Universal Ports (Universal Port Attachments)
- 1x DJ controller
- 1x SKAA Pro Transmitter
- 2x SKAA-enabled speakers
- Laptop w/ DJ software and music library

Note

SKAA Pro Mode allows you to transmit to two speakers and two subwoofers with near-zero latency. This makes it perfect for real-time performance.

App Integration

Use the Trulli App to:

- Set both Bass50s to SKAA Receiver Mode
- Select the Stage or Universal Port: Venue Sound Profile
- Apply Time Correction if needed
- Monitor battery levels before the show

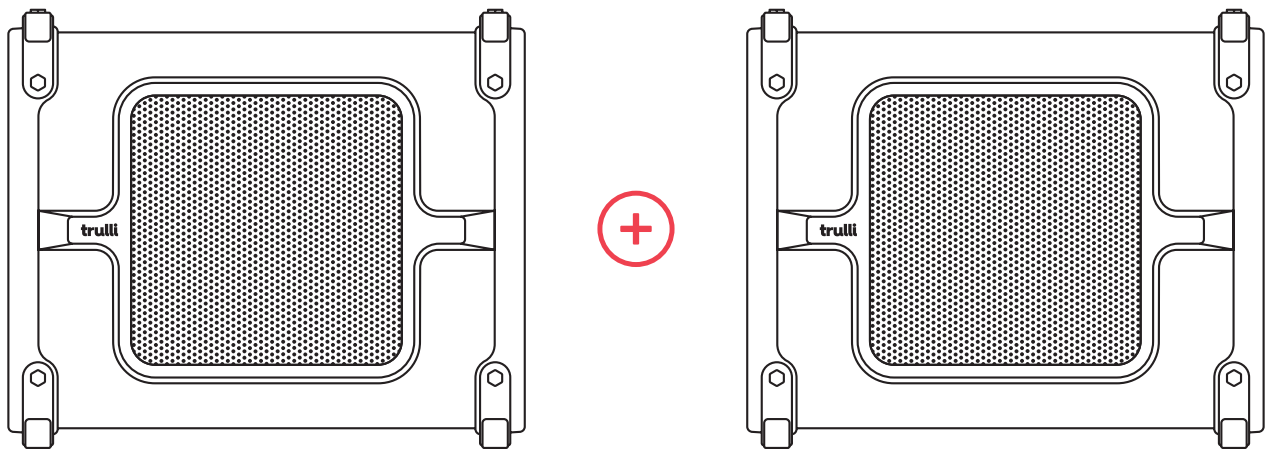
Safety Note:
Improper mounting, unsecured buckles, or unstable placement when using the Universal Port may lead to Bass50 tipping or falling and cause injury or damage. Refer to **Section 13d: Mounting and Tipping Safety** before use.

Learn More
For full application guides, instructions, tips, and more, visit our application guides in our help center:
Help.TrulliAudio.com



6f. Using Multiple Bass50s (Dual-Unit Setups & Large-Scale Clusters)

Whether you're doubling up for added impact or building a wireless bass network across a large space, the Bass50 is built to scale. Thanks to flexible I/O options and SKAA wireless technology, you can link multiple units for powerful, synchronized playback: no cables required.



Dual Bass50 Setup

In many setups, one Bass50 is plenty; but sometimes, more is more. Adding a second unit can:

- Increase output for studios or outdoor setups
- Expand bass coverage across a wide space.
- Provide a sense of stereo presence by spacing units apart.

Clustering with SKAA

For larger-scale setups, you can link up to four Bass50s using a SKAA Cluster:

- One Bass50 becomes the Master, transmitting wirelessly to the others.
- All units stay in sync with auto-managed latency.
- Volume and mute behavior are shared across the Cluster.

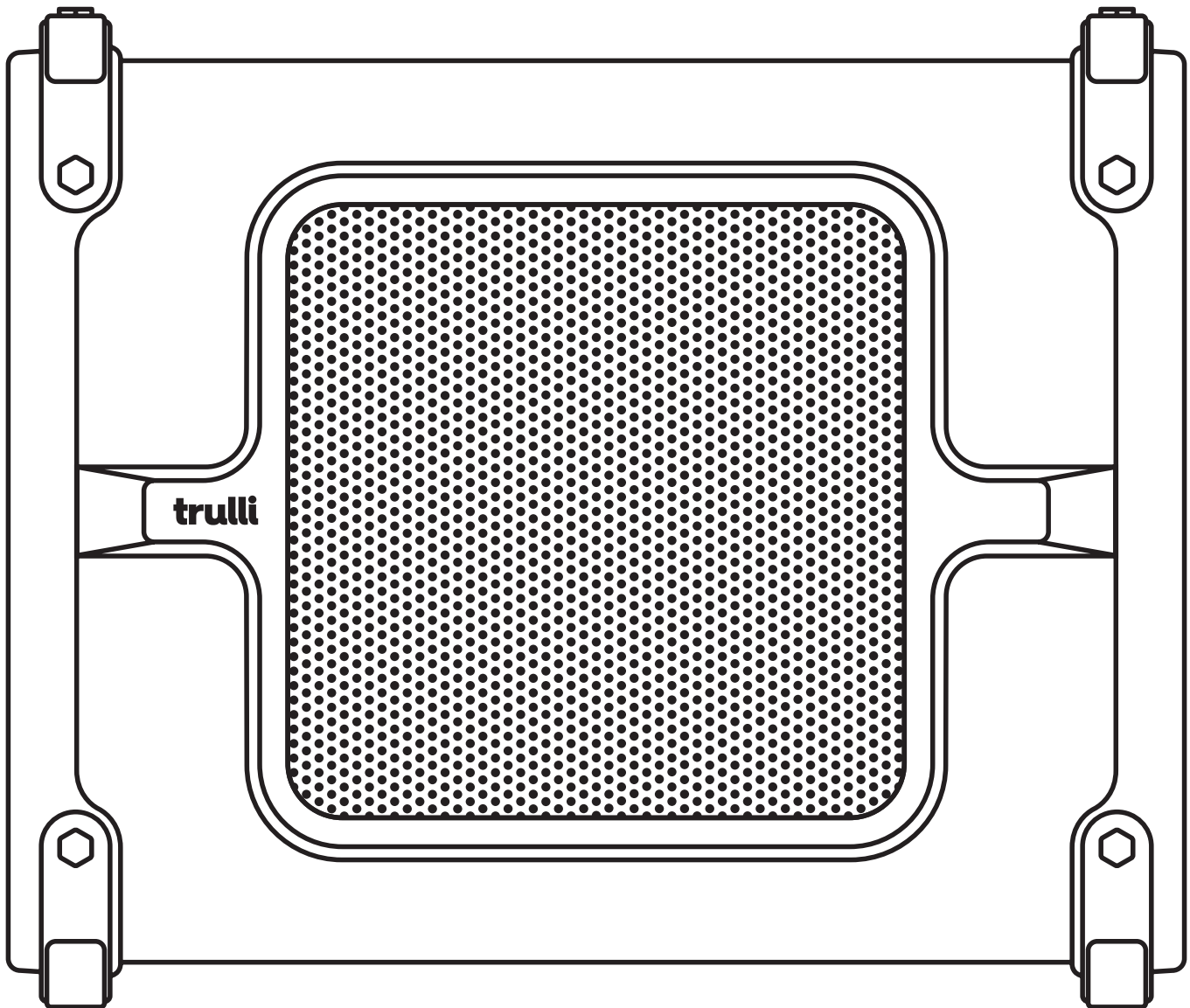
This configuration is perfect for:

- Showroom floors and trade displays
- Outdoor events
- Large or uniquely shaped rooms
- Multi-zone audio setups

To build a Cluster, follow the **Make a Cluster of Receivers** procedure in Section 8b or visit the Trulli Help Center for step-by-step guidance.



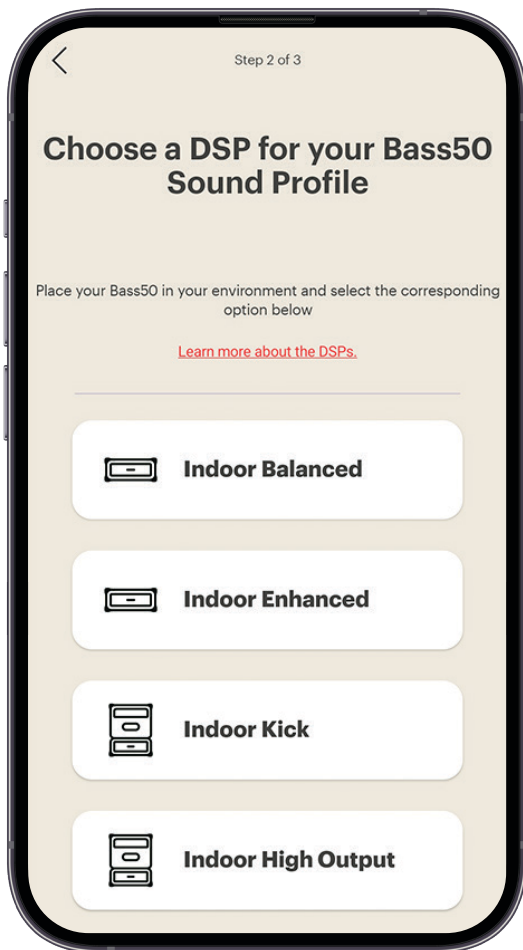
7. Getting the Best Sound Out of Your Bass50



While the Bass50 is engineered to deliver powerful low end in any environment, placement and settings can make all the difference. This section helps you understand how to optimize your Bass50's performance in real-world spaces so you can enjoy clean, deep, and tight bass exactly where you want it.

7a. Environment – Know Your Surroundings

Your listening environment has a profound impact on how low frequencies behave. The Bass50 is equipped with onboard DSP profiles tailored for various acoustic conditions. These profiles apply equalization curves that compensate for common room anomalies. For example, in larger or open spaces, you may lose low-end power unless the speaker is positioned correctly.



The Trulli app allows you to select a sound profile based on your space, which automatically adjusts the internal EQ to match. It's helpful to experiment with profiles to find what sounds best in your exact setup. In addition, nearby reflective surfaces like floors and walls can greatly influence bass clarity. Carpeted spaces will absorb some energy, while hard walls may boost certain frequencies due to reflection. You may find the physical placement will have more impact than app settings.

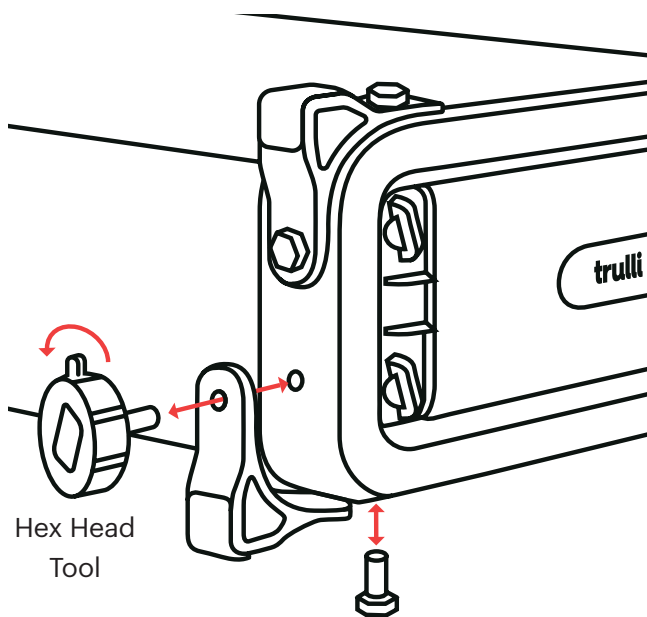
7b. Orientation & Placement

The Bass50's unique design allows for three distinct orientations: down-firing, up-firing, and forward-firing, each offering different acoustic characteristics and benefits. By adjusting the feet and repositioning the carrying strap, you can tailor the Bass50's performance to your space, your style, and your audience.

This section will guide you through:

- How to adjust the Bass50's feet and carrying strap
- How to position the Bass50 for each firing orientation
- Tips for maximizing performance in different environments

These recommendations will help you find the best setup for your sound. Let's explore each orientation to see how you can get the most out of your Bass50.



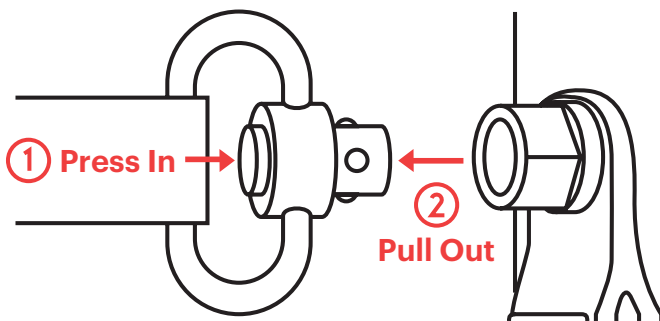
Adjusting the Feet

The Bass50 comes with eight feet that provide maximum stability in any orientation. While you don't need to move or remove them for most setups, you can reposition or remove feet to customize your placement if needed.

How to Adjust:

- Use the Hex Head Tool to remove or reposition feet.
- Configure the Bass50 for down-firing, up-firing, or forward-firing orientations by adjusting how the feet make contact with your surface.
- Reattach bolts securely, don't over-tighten.
- The thicker side of each foot should face outward; the thinner side faces inward.

7b. Orientation & Placement (Cont.)

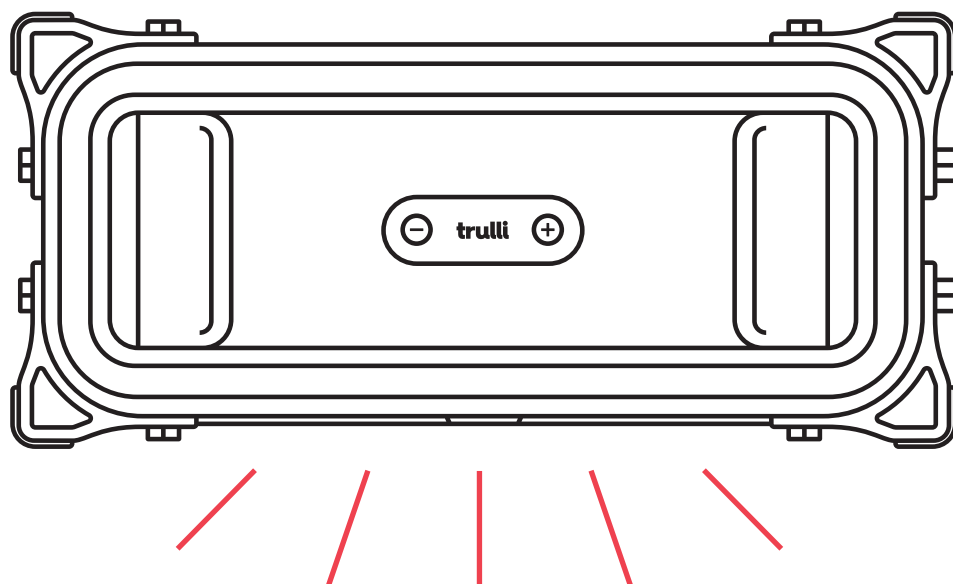


Adjusting the Carrying Strap

- The carrying strap can be re-positioned or removed using the Quick-Disconnect (QD) bolt system.
- To lock: While pressing the button in the center of the strap connector, place the attachment into the strap button. Release the button only when the connector is fully seated, then pull on the strap to confirm a secure lock.
- To unlock: Press the button in the center of the strap connector and pull the attachment away from the strap button.
- Adjust the strap length by sliding the adjusters to your preferred height.
- The strap can also be used to help secure the Bass50 during transport.

7b. Orientation & Placement (Cont.)

Down-Firing Orientation



Purpose

In this configuration, the grille faces directly downward. This setup enhances low-frequency impact through boundary reinforcement, especially when placed on a solid surface.

Best Uses

- Parties 20-50 people
- Small gyms
- Small corporate events
- Floor placement in home studios or home theaters
- Outdoor events

How to Set Up

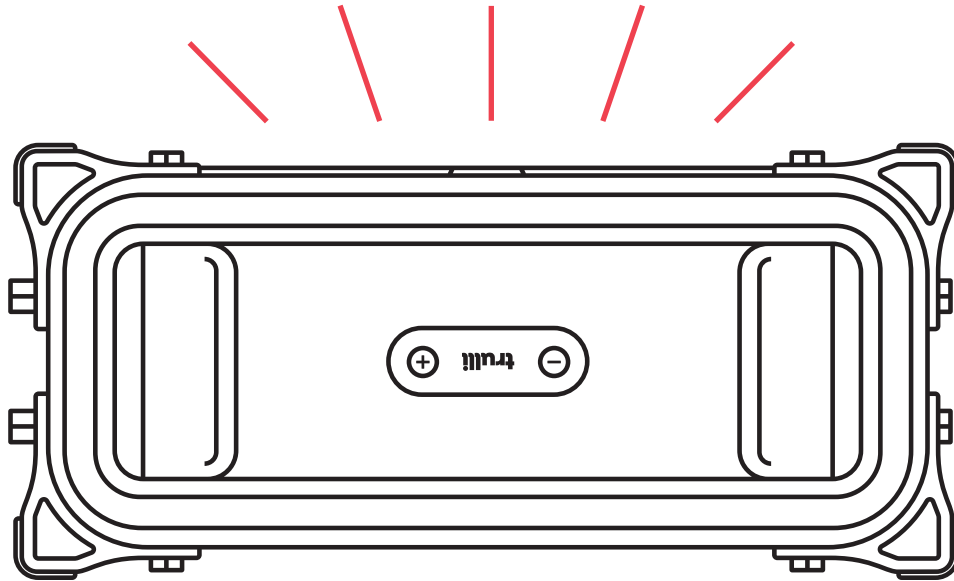
1. Flip the Bass50 so the grille faces down.
2. Ensure the four bottom-facing feet are attached (they should already be in place by default).
3. If needed, adjust or remove feet on other sides for clearance or visual preference.
4. Place the Bass50 on a solid, level surface.

Tips

- Down-firing typically gives the most “felt” bass impact.
- Leave a few inches of clearance beneath the unit for best performance.

7b. Orientation & Placement (Cont.)

Up-Firing Orientation



Purpose

Up-firing disperses bass energy upward and outward, providing a more immersive and even room-filling response.

Best Uses

- Low-ceiling indoor rooms
- Studio and rehearsal spaces
- Beneath speaker stands or risers
- Pre-vis

How to Set Up

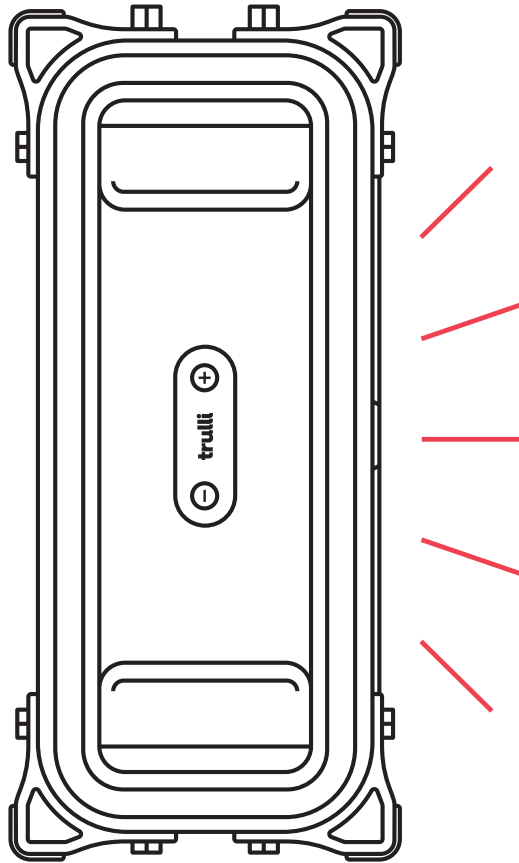
1. Flip the Bass50 so the grille faces up.
2. Ensure the four top-facing feet are attached to provide proper elevation and grip.
3. Remove or reposition other feet if they interfere with stability.

Tips

- Up-firing works well in environments where the bass should blend into the mix.
- Try placing the unit near a wall corner to enhance low-end warmth.

7b. Orientation & Placement (Cont.)

Forward-Firing Orientation



Purpose

This layout sends bass forward like a traditional speaker. It's best when you want targeted bass projection with clear directionality.

Best Uses

- 2.1 systems and studio monitors
- Live setups where forward bass throw is preferred

How to Set Up

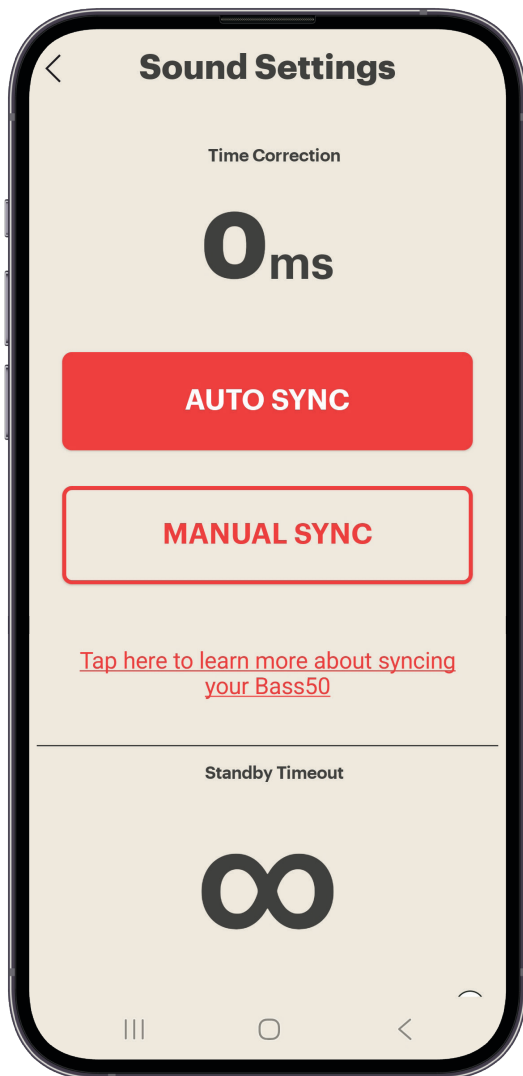
1. Turn the Bass50 onto its side so the grille faces forward (either left or right).
2. Decide which side should face up. In most cases, it's on the control panel side.
3. Ensure the four corners contacting the surface have feet installed to prevent rocking or sliding.
4. Adjust or remove feet on the opposite side if needed for balance or clearance.

Tips

- Pair this orientation with room treatments to fine-tune bass focus.
- A great choice when you want precise bass directionality.

7c. Utilizing the App

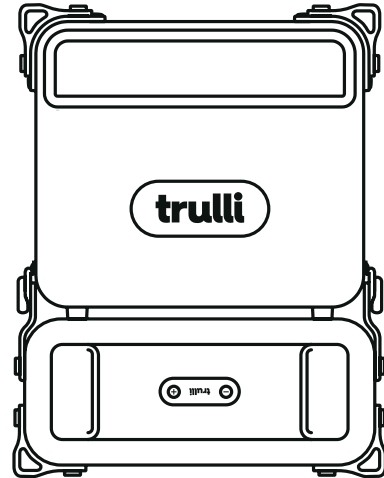
The Trulli app gives you precise tools to fine-tune your sound. In addition to selecting environment profiles, you can adjust crossover settings, apply Time Correction, and mute or unmute the bass on the fly. Crossovers let you define the frequency range where the Bass50 contributes. High-pass (HPF) and low-pass (LPF) filters can be adjusted based on how your main speakers are set up. See Section 5 for more information.



Time Correction is especially important in any system where signal delays are introduced. The app uses your phone's microphone to analyze the timing delay of the main speakers and applies a digital delay to the Bass50 so that all the sound arrives at your ears simultaneously. This feature dramatically improves clarity and impact, especially when the subwoofer and mains are physically separated.

7d. Using with the Trulli Bass50 Universal Port

For those looking to take performance to the next level, the optional Trulli Universal Port accessory transforms the Bass50's sealed enclosure into a fourth-order bandpass system. This enhances output in a tighter frequency range, providing even greater punch and loudness, especially in outdoor setups. The port attaches securely to one side of the Bass50 and is tuned to optimize airflow and sound projection. It's ideal for listeners who want more output and are okay with a slightly narrower bass range in exchange for a dramatic boost in perceived loudness.



Purpose

- **Punchier Bass:** The port enhances output in the low bass range by creating a tuned enclosure extension.
- **Best For:** Maximum output in outdoor setups.
- **Tradeoff:** Slightly narrower bass range for a dramatic boost in loudness and efficiency.

How to Connect

1. **Orientation:** Place the Bass50 in the up-firing position (grille facing up).
2. **Align the Port:** The Universal Port's opening matches the Bass50 grille exactly, with a gasket around the edge for a perfect seal.
3. **Leg Placement:** The port's four "legs" slot over the Bass50's corners for stable positioning.
4. **Latching:**
 - Each of the four latches has a flap you lift to release the hook.
 - Rotate the hook mechanism outward to clear the latch hook.
 - Hook it over the port's designated latch points.
 - Push the flap back down to tighten the hook. This pulls the port firmly into place, creating a secure and airtight seal.
5. **Final Check:** Ensure all four latches are engaged and the port is firmly seated.

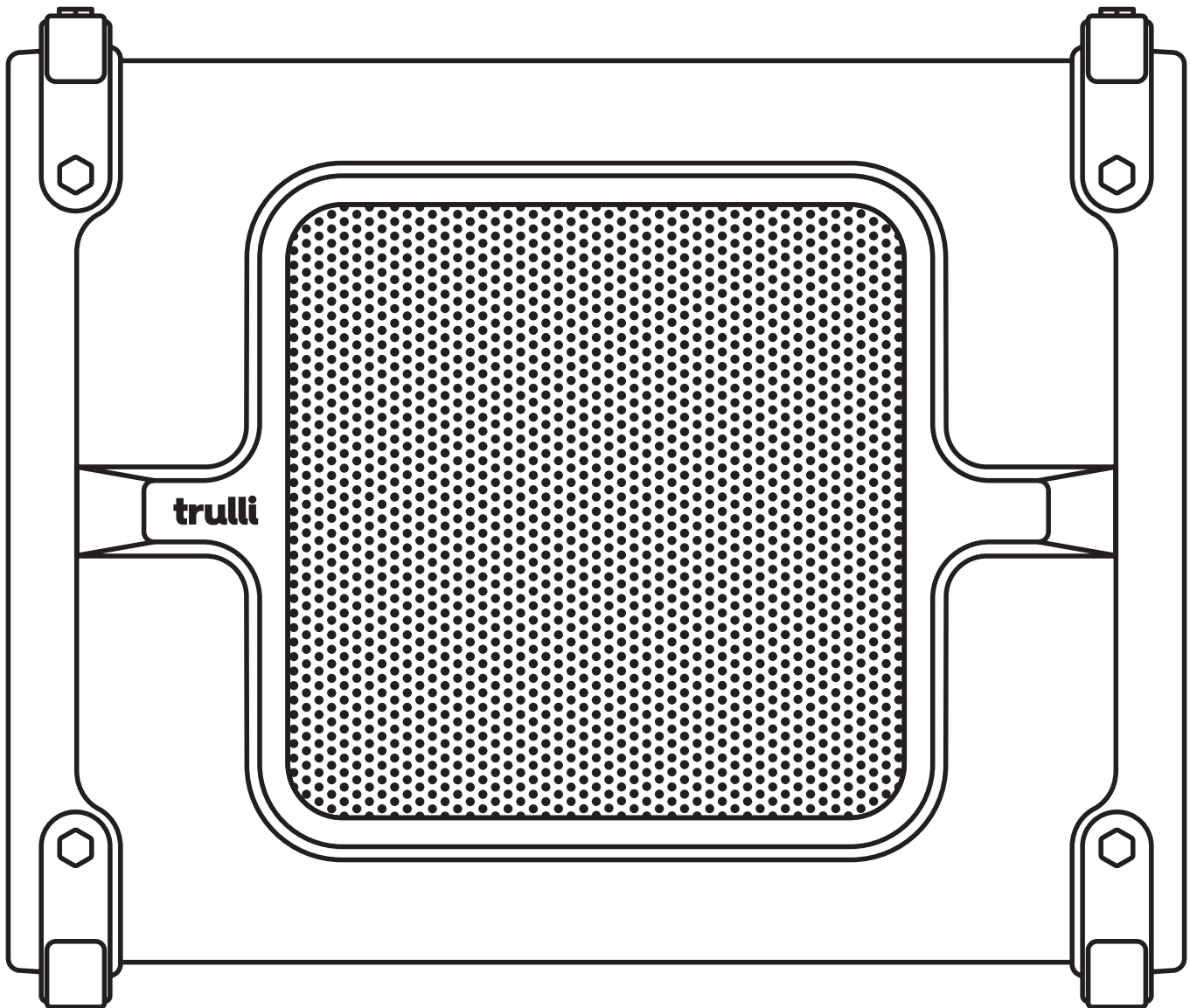


Safety Note:

Improper mounting, unsecured buckles, or unstable placement when using the Universal Port may lead to Bass50 tipping or falling and cause injury or damage. Refer to **Section 13d: Mounting and Tipping Safety** before use.



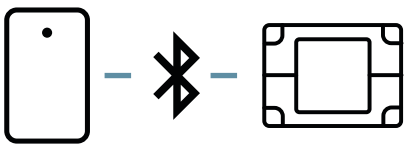
8. Wireless and Connectivity



The Bass50 delivers advanced wireless functionality that makes it easy to integrate into a wide variety of audio systems without relying on cables. The Bass50's wireless capabilities are designed to deliver reliable, low-latency performance.

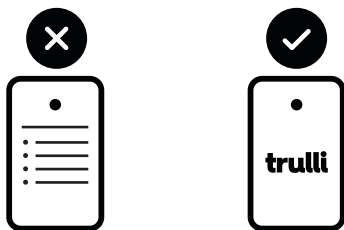
8a. Bluetooth

Bluetooth is the most common way to send audio to the Bass50. Here's what you need to know for reliable pairing and optimal performance:



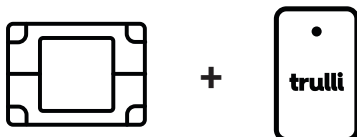
Placement Guidelines

Place the Bass50 in an area with minimal obstructions and away from heavy metal objects or other sources of radio interference. Keeping the Bass50 within clear line-of-sight to your phone or audio source typically results in the most reliable Bluetooth connection.



Caution

Avoid pairing the Bass50 through your phone's operating system directly. Using the Trulli app for pairing ensures reliable operation and avoids conflicts with advanced features like Time Correction.



Pairing

Power on the Bass50 and open the Trulli app. The app automatically initiates pairing and connects to the speaker. Behind the scenes, the Bass50 uses a low-energy standby mode to keep Bluetooth active even when the main unit appears off, allowing easy reconnection or remote power-on from the app for up to four days.

8b. SKAA

SKAA provides matched latency transmission and reception with excellent reliability, even in environments with lots of wireless interference. The Bass50 can operate in three SKAA modes: Host, Receiver, and Bypass. You can cycle between these modes using the SKAA Mode button under the side panel.



Host

The Bass50 sends its incoming audio signal wirelessly to SKAA receivers, whether the source is another SKAA device, Bluetooth, AUX, or USB. This is the correct mode when connecting to other SKAA-enabled speakers. The transmit indicator glows white when active.

Pro Mode: This is the default mode for the Bass50. In Pro Mode, you can connect up to two SKAA-enabled receivers. Latency is fixed at 19 ms across all receivers, and the Bass50 will automatically match timing to keep everything in sync.

Consumer Mode: Consumer Mode allows you to connect up to four SKAA-enabled receivers. Latency is fixed at 36 ms across all receivers, and the Bass50 will automatically match timing for consistent playback.

Switching Between Modes: To toggle between Pro and Consumer modes, press the Trulli Button twice. Immediately after switching, the ⊕ button will flash once to confirm Pro Mode or the ⊖ button will flash once to confirm Consumer Mode.



Receiver

The Bass50 receives wireless audio from another SKAA transmitter. When in this mode, you can rotate through bonded transmitters using the SKAA Bond button. The SKAA status LED will glow bright amber when playing audio from a SKAA transmitter. To 'bond' to a transmitter, press and hold the SKAA Bond button for two seconds and it will turn bright green. Now, your Bass50 is on the "Green List" meaning, it will remember this SKAA transmitter and will automatically connect to it if the transmitter is on.



Bypass

The SKAA radio is turned off. This is useful for when there are no other SKAA devices in your audio system.



8b. SKAA (Cont.)

SKAA Bonding

SKAA bonding is handled through a single multi-function button and LED indicator. You can rotate through transmitters, mute, reset the Green List, and even create a cluster of Bass50 receivers, all from this control panel. These interactions are explained in detail in Section 4c and the SKAA Guide.

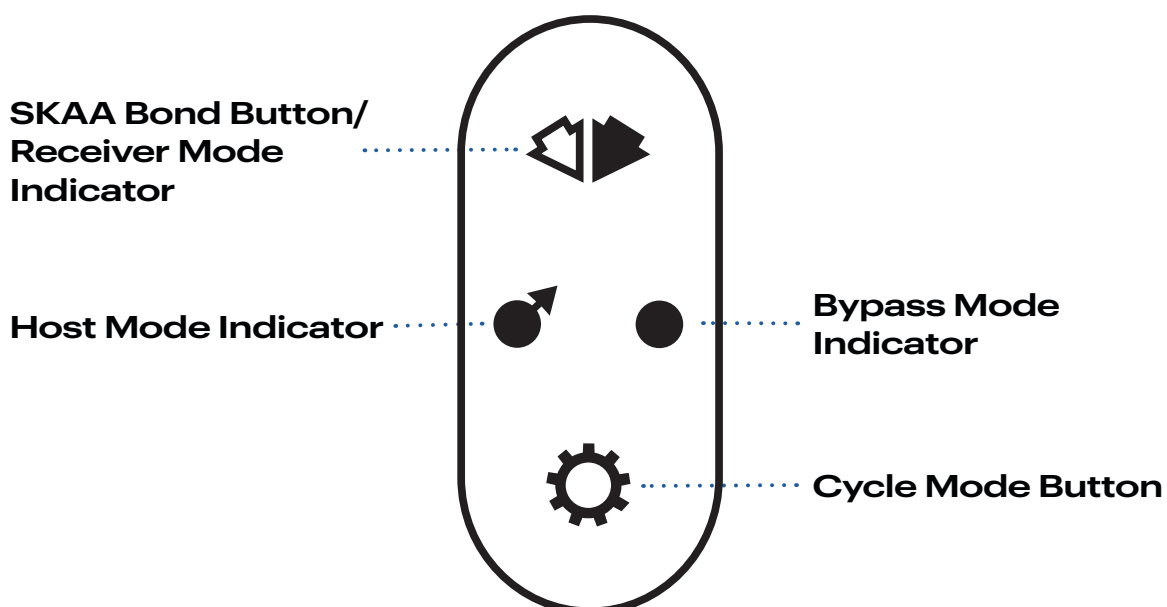
When the Bass50 is in SKAA Host mode, such as when transmitting audio to a SKAA-compatible receiver, it will automatically stop transmitting if no audio is detected for 30 minutes while in Pro Mode (default setting). Once audio playback resumes, the Bass50 will automatically resume transmission.

If your Trulli AUX Receiver has been “green-listed” (bonded) to your Bass50, indicated by green LEDs, it will automatically reconnect. If the Trulli AUX Receiver hasn’t been previously green listed, there’s a possibility it may connect to another nearby SKAA transmitter instead of your Bass50. To ensure a seamless and reliable connection, we strongly recommend bonding your Trulli AUX Receiver to your Bass50.

Tip




Always ‘bond’ SKAA Receivers to the SKAA Transmitter (i.e. ‘Green List’). This will ensure the best connectivity experience. You can always, reset the receiver and allow it to bond with another SKAA Transmitter if you choose to. During playback operation, bonding makes it effortless.

For detailed bonding instructions and additional information on SKAA operation, please refer to **Section 4c** or consult the **Troubleshooting Guide**.





















8b. SKAA (Cont.)

SKAA Receiver Mode: SKAA Bond Commands

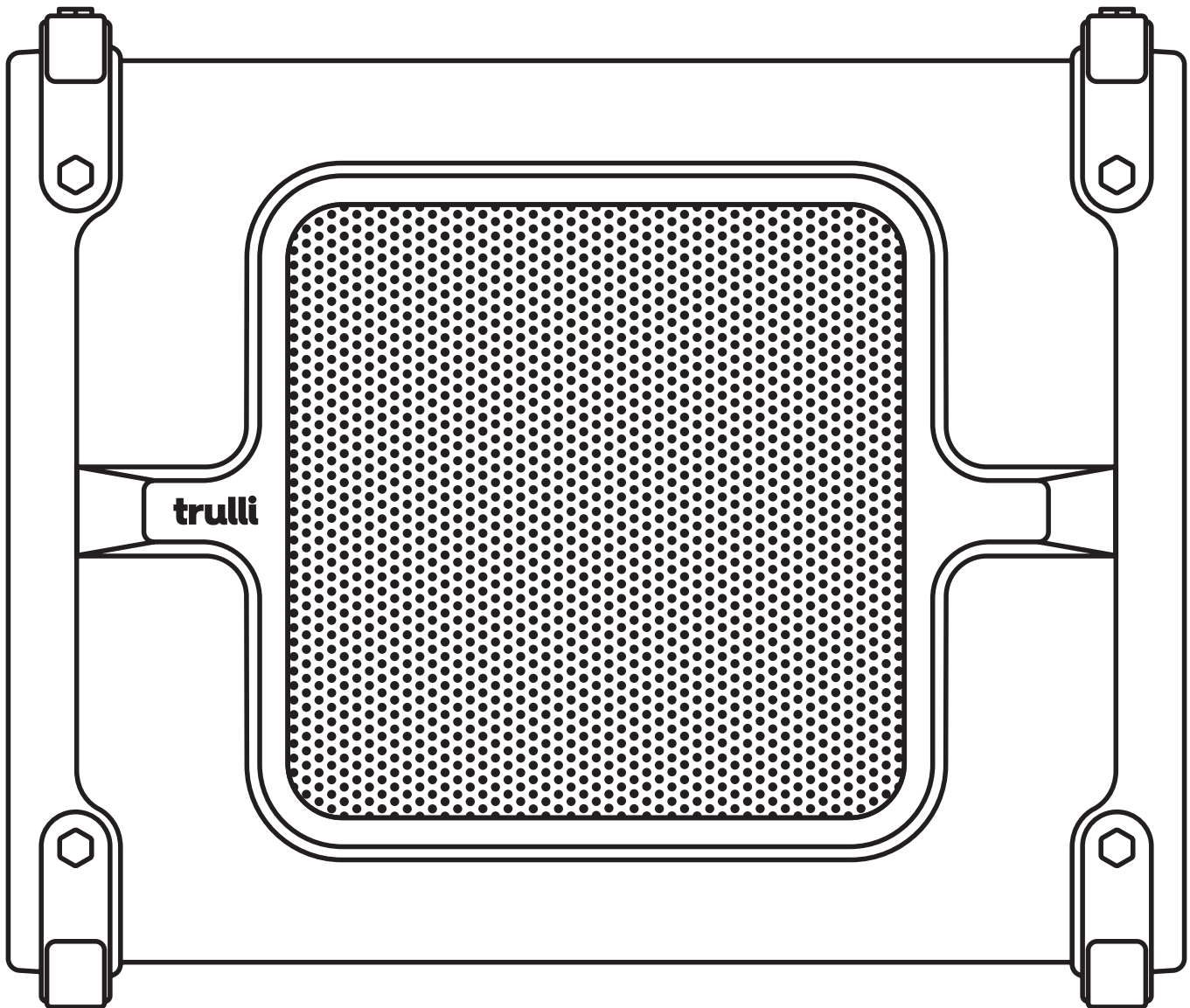
When the Bass50 is in **SKAA Receiver Mode**, it can connect to your favorite SKAA transmitters using a **Green List** (like a favorites list). The SKAA Bond Indicator will show green , amber , or red  depending on the mode and command.

Here is a breakdown of the available commands:

Command	Description	Button Action	Indicator
Add/Delete Transmitter	Manually add/delete the current transmitter to/from your Green List.	Hold the SKAA Bond Button for 3 seconds	 to  = Added  (flashing) = Deleted
Auto Add Transmitter	Automatically adds the current Amber transmitter to your Green List if you listen to it for 30 minutes.	No button action: it happens automatically	 to  = Added
Green Mode	Rotate through your Green List transmitters (favorites). Once found, the search stops and audio plays from that transmitter.	Tap the SKAA Bond button once.	 (dim) = Hunting  (flash) = Next on List  (bright) = Bonded
Amber Mode	Explore for new, unknown transmitters (ones which are not already on your Green List)	Tap the SKAA Bond button twice.	 (dim) = Hunting  (bright) = Bonded
Mute	Perform the command again to unmute; any click command will first unmute and then perform its function.	Tap the SKAA Bond button three times.	 ,  , or  (slow flash) = Muted
Red Mode	If you have two or more transmitters on your Green List, power on only the one you want, and it plays automatically.	Tap the SKAA Bond button four times.	 (dim) = Hunting  (bright) = Bonded
Factory Reset	Clear your Bass50's Green List (favorites).	Tap the SKAA Bond button six times.	 (flash) = Reset Complete
Create a Cluster of Receivers	<p>Process</p> <ol style="list-style-type: none"> 1. Power off all transmitters and receivers. 2. Hold the SKAA Bond button while powering on the Master Receiver until the indicator flashes red. 3. With the remaining receivers within 3 meters of the Master Receiver, power them on individually, waiting until their indicator flashes red before powering on the next one. 4. Once all receivers have powered on and their indicators stop flashing (turn solid red), power off all the receivers. 	Hold SKAA Bond button while powering on the Master Receiver.	 (flash) = Receiver has entered 'Cluster Up' mode  (bright) = The Cluster has been successfully created



9. Power and Battery Charging



The Bass50 provides versatile power management, ensuring seamless performance wherever you use it. This section explains the power states, battery features, and charging options clearly.

9a. Power States

The Bass50 has three power states:

On: Normal operation mode. Power consumption varies with subwoofer volume.

Standby: Conserves power by disabling certain functions while remaining Bluetooth-discoverable via the Trulli App. By default, the Bass50 enters standby after 20 minutes without audio playback. You can adjust this duration within the Trulli App.

Off: Completely powered down. Press and hold the Trulli button for 2 seconds to power on again.

9b. Battery Overview

At the heart of the Bass50 is a high-capacity, user-removable lithium iron phosphate (LiFePO₄) battery. Chosen for its exceptional lifespan, safe discharge characteristics, and high energy density, this battery slides securely into one side of the Bass50 with no tools required. It can be easily removed for transport, replacement, or external charging.

The Bass50 will not operate without the main battery installed. However, it includes a small internal backup battery that keeps the Bluetooth system in low-power mode for up to four days. This allows the Trulli app to discover and power on the Bass50 remotely, even when the main battery appears inactive.

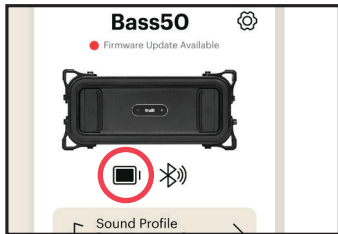
Battery status is communicated to the app, which displays charge level in eight segments with color-coded visual indicators. When the battery is critically low, the app will display a warning message.



9b. Battery Overview (Cont.)

Battery level indication

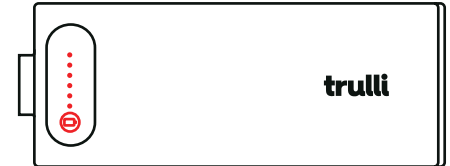
There are a few ways to determine the battery level.



1. In the Trulli app



2. By tapping the + and - on the Bass50. The LED animation will move to the right. A fully charged battery will completely light the LED ring.



3. On the battery itself. You can press the indication button to see the LEDs light.

Note

Battery status appears clearly in the Trulli App. Critical battery levels trigger in-app warnings and may change the Trulli logo color or activate audio prompts, based on your settings.

Playtime Expectancy

7 hours
at full volume

20 hours
at moderate volume

40 hours
at low volume

Runtime may vary based on usage and environmental factors.

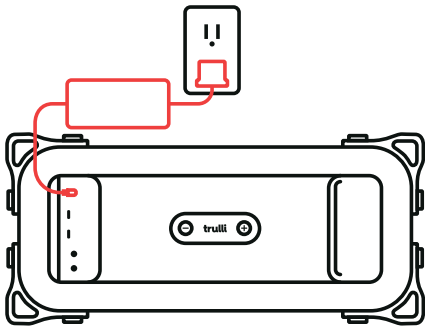
Note

With a Trulli Wall Charger or 12V Vehicle Charger, playtime is fully continuous.

9c. Charging Options

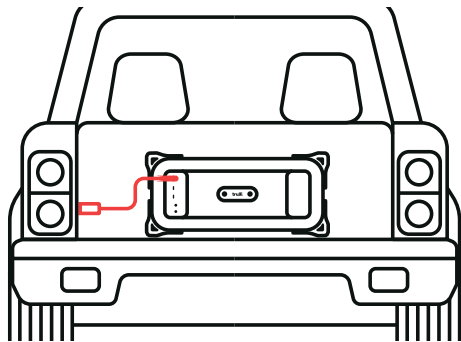
Charging begins automatically when power is applied. The Trulli logo pulses while charging and turns solid when complete. The app also provides real-time charge status and can alert users when the battery is low or fully charged.

Charge your Bass50 using:



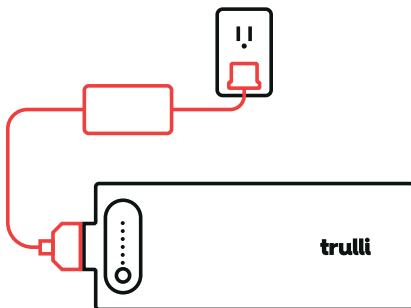
Wall Charger:

- Input: 100–240 V, 50–60 Hz
- Output: 24 V DC, 7.5 A
- Charge time (while Bass50 is off): about 2 hours
- Safety: EN60601-1 ed. 3.1
- EMC: EN60601-1-2 ed. 4
- UL Recognized: E208102
- To charge, connect the included AC adapter to a wall outlet and plug it into the charge port on the Bass50. Charging starts automatically, indicated by the Trulli Button pulsing white. When fully charged, the light turns solid.



RV / Vehicle Charger:

- Output: 12.4–16 V DC
- 10A protection fuse
- Charge time: about 2.5 hours
- Connect the 12V automotive charger to your vehicle's accessory port. Charging only begins when the vehicle's system voltage reaches 12.4V, preventing vehicle battery drain when the engine is off.



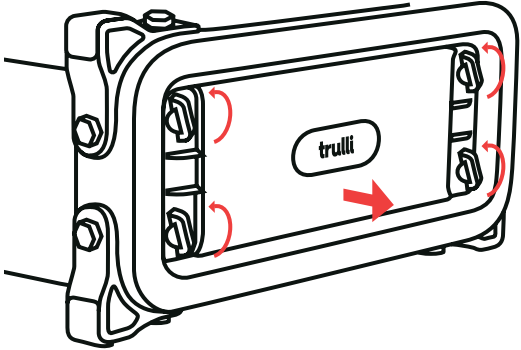
Battery Charger (Accessory):

- Input: 120-240 Vac, 50-60Hz
- Output: 18 V, 3.9 A
- Charge time: about 3 hours
- Safety: EN60601-1 ed 3.1
- EMC: EN60601-1-2 ed 4
- UL Recognized: E208102
- The Bass50's removable battery can be charged externally using Trulli External Charger. To reinstall, align the contacts, slide into place until it clicks securely.

Safety Note

Use only official Trulli Audio charging equipment for safe, efficient charging and to maintain battery health.

9d. Battery Removal



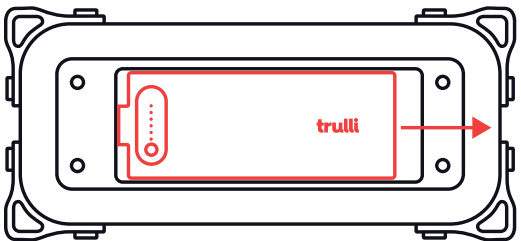
Twist the battery compartment 1/4 turn fasteners counterclockwise to remove the battery cover.

Slide the battery in the direction shown in the diagram.

Do not lift the battery up while the connector on the left-hand side is engaged. This can damage the connector.

Note

In order to preserve the small internal battery's life, any time the main battery is removed (and a charger is not connected), the Bass50 is turned off.



After replacing the battery, press the Trulli button to turn on the Bass50.

9e. Battery Performance

Your Bass50 battery provides extended runtime influenced by volume, usage patterns, music genres, and crossover settings. Its internal power supply dynamically adjusts the power required based on volume, ensuring efficient operation without compromising audio performance.

Charging Temperature Range:

32°F to 140°F (0°C to 60°C)

If the battery temperature is out of this range, the charging will pause until it is within this range.

Operating Temperature Range:

-4°F to 140°F (-20°C to 60°C)

If the battery temperature falls below -4°F (-20°C) or rises above 140°F (60°C), the Bass50 will shut down. Move it to a moderate environment and allow it to return to a safe temperature before using it again.

9f. Battery Safety Guidelines



Your Bass50 is built with battery safety in mind. Always avoid exposing it to high heat, water, or impact. Never use third-party chargers or attempt to open the battery enclosure. To maximize safety and battery lifespan:

- Avoid exposure to excessive heat, moisture, or physical impacts.
- Use only Trulli-approved chargers and accessories.
- Transporting the Battery: When traveling, especially by air, remove the battery and place it in carry-on baggage where required. Be sure to comply with airline policies regarding lithium batteries.

The combination of rugged construction, intelligent power management, and advanced charging options ensures that your Bass50 is ready for anything: on the road or at home.



Long-Term Battery Storage

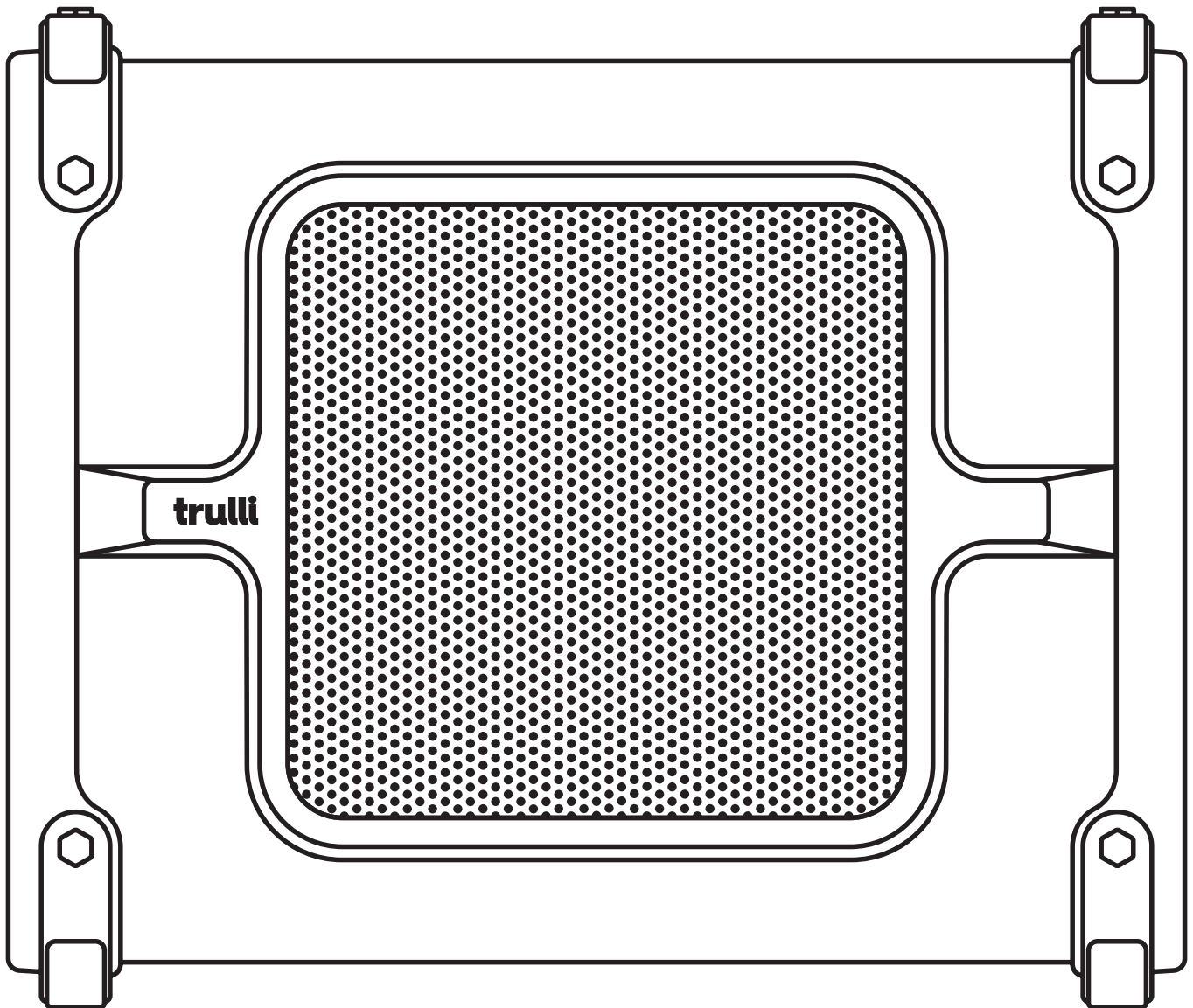
- Remove the battery if the Bass50 won't be used for an extended period.
- Store the battery in a cool, dry place at around 50% charge to maintain long-term health.
- Avoid storing your Bass50 with a completely discharged battery, as this can reduce lifespan.
- Storage temp:
 - 1 month: -20 to 45°C / 4 to 110°F
 - 3 months: -20 to 35°C / 4 to 95°F
 - 6 months: -20 to 25°C / 4 to 77°F

9g. Battery Specifications

The removable lithium iron phosphate (LiFePO₄) battery offers long life and safe, reliable performance. Runtime varies depending on usage, but most users will experience multiple hours of operation per charge. The battery can be charged internally using the provided wall or vehicle charger, or externally with compatible hardware.

- Battery chemistry: LiFePO₄
- Battery config: 5s3p
- Weight: 3.7 lbs
- Voltage: 16 V
- Watt Hour: 172.8 Wh
- Life Expectancy: >2500 discharge cycles
- Charge temp: 0 to 60 °C / 32 to 140 °F
- Discharge temp: -20 to 60 °C / 4 to 140 °F
- Storage temp:
 - 1 month: -20 to 45 °C / 4 to 110 °F
 - 3 months: -20 to 35 °C / 4 to 95 °F
 - 6 months: -20 to 25 °C / 4 to 77 °F

10. Bass50 Product Specifications



The Bass50 is a purpose-built, high-output, battery-powered subwoofer designed to deliver professional-grade sound quality in a portable form factor. Every component has been carefully selected and engineered to perform reliably across indoor and outdoor environments.

10a. General Product Information

The Bass50 enclosure is constructed from Baltic birch plywood for strength, rigidity, and superior acoustic performance. The housing is wrapped in a premium vinyl finish. Protective plastic end caps house the removable battery on one side and the I/O and controls on the other. The inputs, outputs, and buttons are protected by rugged, water-resistant rubber covers.

- Base dimensions: 20.3 x 17.1 x 7.9 in
- Weight: 35lbs
- Enclosure Material: Baltic Birch
- Enclosure Covering: Carpet or Rugged Coating
- End Caps: Custom Trulli Plastic Blend
- Control Covers: Water-Resistant Silicone
- Feet: Aluminum with Silicone Pads
- Grille: 16ga Steel
- Bolts: Steel
- Strap: 1" Polyester Webbing with Steel QD Connectors and Rubber Handle

10b. Audio Performance

The subwoofer itself is a patented 10-inch, low-profile, high-excursion driver that delivers deep and accurate bass. The Bass50 produces up to 104 dB @ 1m of clean output and features internally tuned DSP profiles that adjust for various environments. A full range Class-D audio amplifier drives the subwoofer with ample headroom and dynamic range. The system is optimized to extend low frequencies while preserving clarity, even at higher volume levels. Crossover settings are user-adjustable via the app, allowing for seamless integration with other speakers.

- Driver Size: 10 in
- Impedance: 2 Ohm
- Xmax: 9 mm, 14 mm Xmech
- Enclosure Type: Sealed
- Sealed speaker volume: 0.3 ft³ (3.8 l)
- Frequency Response: 20 to 225 Hz
- SPL @ 1 m: 104 dB SPL
- Amplifier type: Class D
- Output Power at 1% THD+N 4 Ohm = 300 W rms
- Dynamic Power Output = 400 W rms 5 sec
- Instantaneous Peak Power Output = 1000 W pk

10c. Sound Profiles

- Number of custom profiles: 84
- Number of sound placement settings: 12
- Low-pass crossover settings: 70, 80, 90, 100, 110, 125, 150, 225 Hz
- High-pass crossover settings: none, 60, 70, 80, 90, 100, 110, 125 Hz
- Time correction range: 0-2.7 s
- Time correction resolution: 2.6 ms

10d. Connectivity

The Bass50 offers multiple input and output options:

Inputs: Bluetooth, 1/8" AUX, USB-C Audio

Outputs: USB-C Audio (pass-through), 1/8" AUX Out (always active)

It can also wirelessly transmit or receive SKAA audio depending on the selected mode. Audio source selection and routing are automatic, or can be managed in the app.

Bluetooth:

- Bluetooth Version: 5.1
- Bluetooth Range: 30 ft approximately

SKAA:

- SKAA modes: Host, Receiver, Bypass
- SKAA latency: 19 ms (Pro), 36 ms (Consumer)
- SKAA receiver connections: 2 (Pro), 4 (Consumer)
- SKAA range: 50 m

AUX:

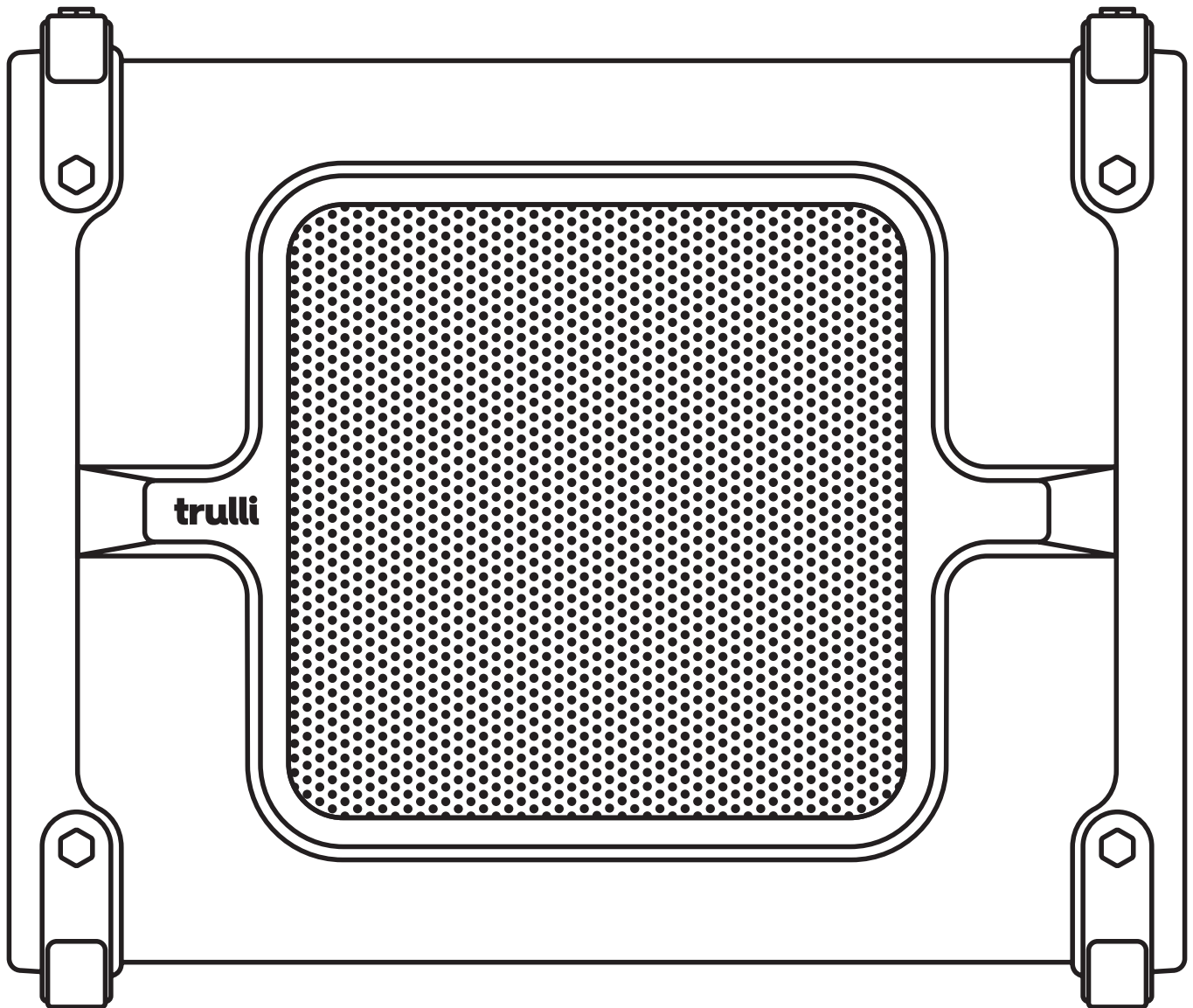
- AUX input: 1/8", TRS
- AUX max V input: 2.1 Vrms, 2.9 Vpk
- AUX output: 1/8", TRS
- AUX max V output: 2.1 Vrms, 2.9 Vpk
- AUX-In to AUX-Out latency: 1 ms

USB:

- USB input: USB-C
- USB class: v1.1
- USB output: USB-C
- USB-In to USB-Out latency: 2 ms
- Trulli Host Volume max levels (SKAA receiver output):
 - Standard: 1.38 Vrms
 - Full: 1.38 Vrms
 - Balanced: 0.73 Vrms



11. Accessories



11a. Trulli Universal Port



The Trulli Universal Port is an optional physical attachment that transforms the Bass50's sealed enclosure into a fourth-order bandpass subwoofer system. By creating a precision-tuned ported chamber, the Universal Port dramatically enhances output in the lower bass frequencies, providing punchier sound and significantly increased loudness, especially in outdoor setups.

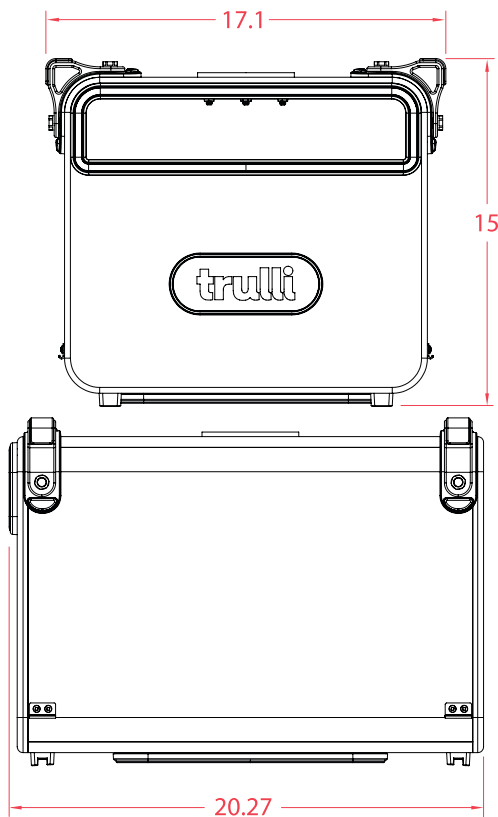
Key Features

Precision-Tuned Port Design: Enhances output in the lower bass frequencies while narrowing the frequency band for more focused, powerful sound.

Optimized Airflow: Designed to maximize airflow and sound projection, boosting loudness in a targeted frequency range.

Attachment Method: The Universal Port mounts securely using pre-fitted screw holes and gaskets on one side of the Bass50.

The Universal Port is ideal for those seeking maximum output in setups where a slightly larger footprint is acceptable in exchange for a dramatic boost in perceived loudness.



Trulli Universal Port Specifications

- Dimensions (with feet): 20.2 x 17.1 x 15 in
- Weight (with feet): 31.2 lbs
- Weight (without feet and screws): 30.1lbs
- Four Latches: 1.1lbs
- Dimensions (with Bass50 attached): 20.2 x 17.1 x 22 in
- Weight (with Bass50 attached): 66 lbs
- Pole Mount: M20

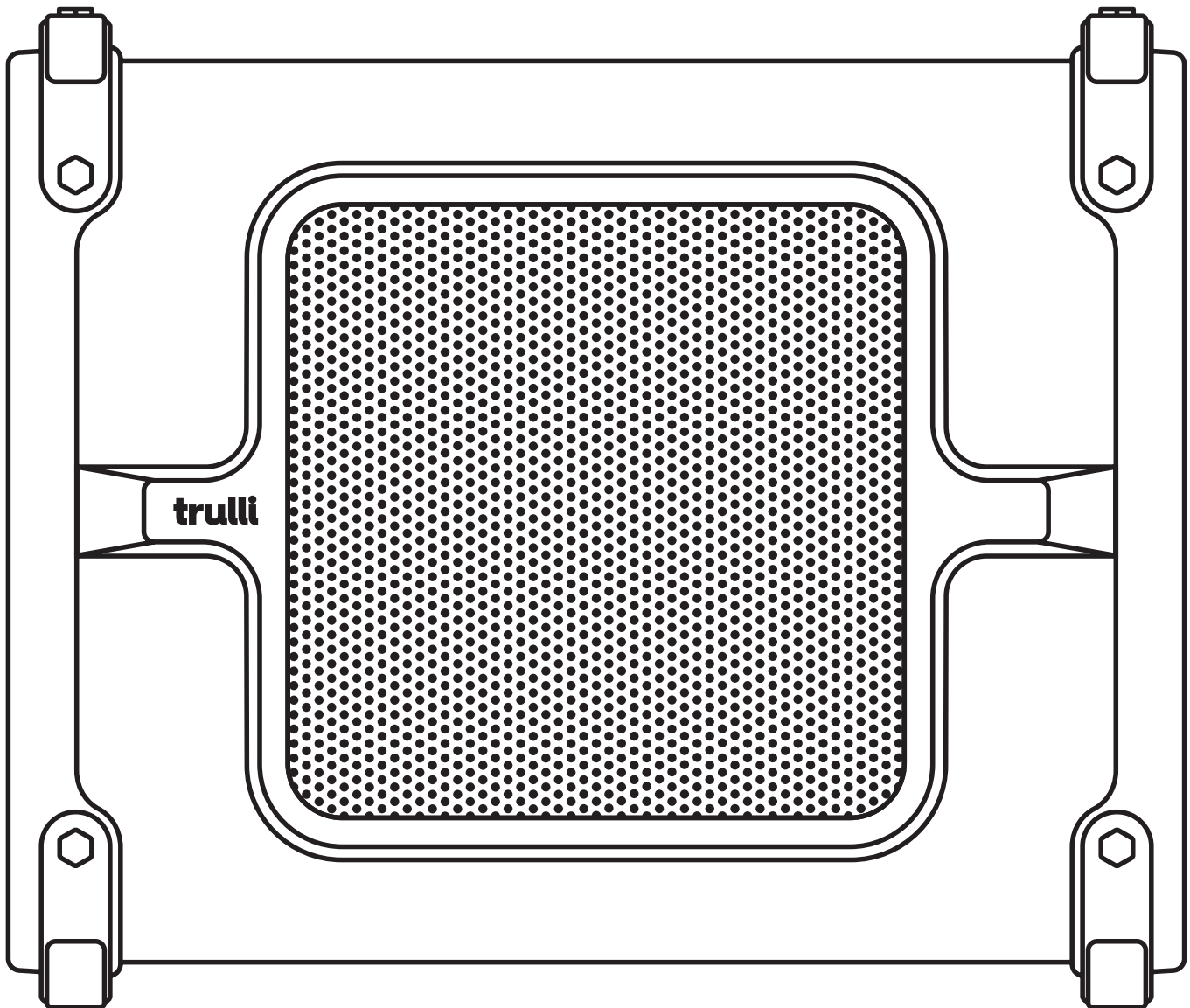


Safety Note:

Improper mounting, unsecured buckles, or unstable placement when using the Universal Port may lead to Bass50 tipping or falling and cause injury or damage. Refer to **Section 13d: Mounting and Tipping Safety** before use.



12. Care and Maintenance



12a. Bass50

To keep your Bass50 performing at its best for years to come, a few simple care and maintenance practices can go a long way. While the Bass50 is designed to be rugged and low-maintenance, proper handling, charging habits, and environmental awareness will ensure long-term reliability and performance.

Tips for Optimal Sound: Experiment with placement and orientation to find the “sweet spot” in any room or outdoor space. Use the Trulli app’s profiles and settings to tailor the sound to your environment. Avoid placing the Bass50 in corners or against walls if you prefer a more balanced, open sound. Place it near reflective surfaces if you want added bass reinforcement.

Temperature Guidelines: The Bass50 and its battery are equipped with internal temperature sensors designed to protect against extreme temperatures, ensuring safe and reliable operation. If the Bass50 or its battery becomes too hot or too cold, the Trulli App will display a notification, and the Bass50 will shut down to protect itself. Once the temperature returns within the safe operating range, normal operation can resume.

The Bass50 power amplifier includes built-in thermal protection to prevent overheating. Although rare, if the amplifier temperature exceeds safe limits, it will temporarily shut off the audio output to cool down. During this protection cycle, you may hear your audio periodically turning on and off.

If you experience this thermal cycling, we recommend powering off your Bass50 and allowing it to cool down completely. Once the unit has sufficiently cooled, you may power it back on and resume normal use.

Best Practices for Temperature Management:

- Keep the Bass50 out of direct sunlight, especially the plastic endcaps, to reduce internal heat buildup.
- Avoid using or charging your Bass50 in extreme temperature conditions (very hot or cold environments).
- Store and operate the Bass50 within the recommended temperature range for optimal battery and amplifier performance.

Cleaning and Care: The Bass50 can be wiped clean with a slightly damp cloth. Avoid using chemical solvents or abrasive cleaners, especially on the vinyl or carpet surfaces. The rubber protective doors covering the ports and buttons should always be kept closed when not in use to prevent dust and moisture from entering. Do not submerge the unit or expose it to heavy rain, as it is water-resistant but not waterproof. If debris or dust collects in the connector ports, gently clear it with compressed air or a soft brush. The speaker grille and exterior can be vacuumed or lightly brushed if needed. Do not attempt to open or disassemble the unit. It is not user-serviceable beyond the removable battery.

Repair: The Bass50 is not user-serviceable beyond battery replacement. If you encounter issues outside of those listed in the troubleshooting section, or if the unit shows signs of physical damage, reach out to Trulli Audio for service options. Do not open the enclosure or attempt unauthorized repairs, as this will void the warranty.

12a. Bass50 (Cont.)



Disposing: The Bass50 and its battery should not be disposed of in household trash. Please recycle according to local regulations, especially the removable LiFePO_4 battery. Most electronics retailers or recycling centers can accept lithium batteries for proper handling. If you're unsure how to dispose of the battery or unit, contact Trulli Audio support for guidance.

12b. Battery



The removable lithium iron phosphate (LiFePO_4) battery in your Bass50 is designed for safe, reliable, and long-lasting performance. Proper care ensures maximum lifespan and optimal operation in all environments.

Tips for Optimal Charging: Use only official Trulli Audio chargers and cables to maintain safe, efficient charging. Charging begins automatically when power is applied. The Trulli logo pulses white while charging and turns solid white when complete. Avoid leaving the Bass50 plugged in continuously for extended periods when not in use.

Temperature: Avoid exposing the battery to direct heat sources, open flames, or direct sunlight. Excessive heat can reduce battery life and compromise safety. Charging Temperature Range: 32°F to 140°F (0°C to 60°C). Discharging (Playback) Temperature Range: -4°F to 140°F (-20°C to 60°C). If charging outside the supported temperature range, the Bass50 will automatically pause charging until conditions return to safe levels.

Storage: For long-term storage (over 1 month), remove the battery from the Bass50. Store in a cool, dry place at approximately 50% charge to maintain battery health.

Service Life: Typical lifespan exceeds 2500 full charge cycles when properly cared for. Factors such as consistent high-volume playback, extreme temperatures, and overcharging can reduce battery longevity.

Cleaning and Care: The battery housing can be wiped clean with a slightly damp cloth. Avoid harsh chemical solvents or abrasive cleaners. Never submerge the battery or expose it to heavy rain or moisture. While the Bass50 itself is water-resistant, the battery compartment and contacts should always be kept dry. If the battery becomes wet, remove it from the Bass50 and dry thoroughly before reinstalling.

12b. Battery (Cont.)

Repair: The battery is not user-serviceable beyond regular cleaning and replacement. If you suspect battery damage (swelling, leakage, or performance decline), stop use immediately and contact Trulli Audio for service options. Do not attempt to open or modify the battery housing.



Disposing: Dispose of used batteries properly according to local regulations. Do not incinerate or puncture. For help finding local disposal facilities or recycling centers, contact Trulli Audio or your local waste authority.

12c. Universal Port Attachment

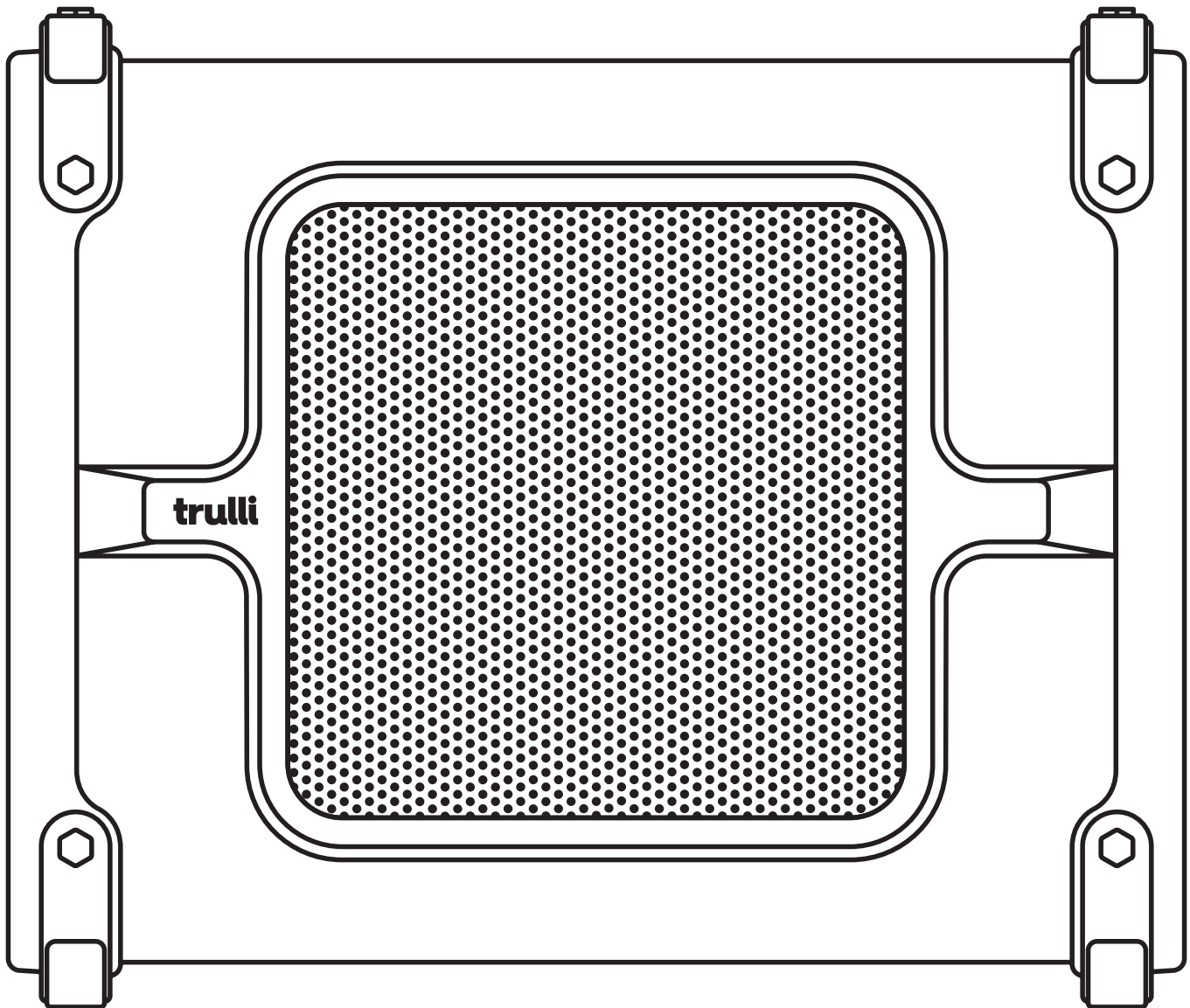
The Trulli Universal Port is a durable, precision-tuned accessory designed to extend the Bass50's performance in specific environments. Though it's built to last, a few simple care practices will keep it in top shape for years.

Cleaning and Care: Wipe the Universal Port with a soft, slightly damp cloth to remove dust and dirt. Avoid using chemical solvents, abrasive cleaners, or harsh scrubbing that could damage the finish or seals. Keep moisture and debris out of the port chamber to maintain airflow and acoustic performance. Always store the Universal Port in a dry, safe location when not in use.

Repair: The Universal Port is not user serviceable. If it becomes damaged or compromised, contact Trulli Audio for guidance on obtaining a replacement. Do not attempt to disassemble or modify the port, as this could reduce performance and void any warranty.

Disposing: When the Universal Port reaches the end of its useful life, dispose of it according to local electronic waste recycling guidelines. Do not discard with household trash. Responsible disposal helps protect natural resources and the environment.

13. Safety, Notes on Use



Your Bass50 was engineered with safety, reliability, and everyday practicality in mind. However, as with any device containing a powerful amplifier and lithium batteries, a few safety guidelines should be followed to ensure worry-free operation.

13a. Hearing Safety Warning



Listening to audio at high volume levels over extended periods can result in permanent hearing damage. To protect your hearing:

- Avoid prolonged listening at high volume.
- Take periodic breaks when listening at loud levels.
- Keep the volume at a comfortable, moderate setting.

The Bass50 is capable of high sound pressure levels (SPL). Use responsibly in enclosed or close-range environments.

13b. Precautions



Important safety instructions:

Avoid Moisture: Do not expose the Bass50 to liquids or moisture. It is water-resistant but not waterproof. Do not charge in wet conditions.

Avoid Heat Sources: Keep away from direct heat sources, open flames, candles, and extreme temperatures.

Authorized Accessories Only: Use only Trulli-approved chargers and accessories provided or recommended by Trulli Audio.

No Modifications: Do not open, disassemble, or alter the Bass50 or its components. Unauthorized alterations may void the warranty and pose safety risks.

Battery Safety: If the battery appears swollen, leaking, or damaged, stop using the product immediately and contact Trulli Audio support. Do not expose batteries to excessive heat or direct sunlight.

Medical Devices: This product contains magnetic material. Consult your physician if you have an implantable medical device.

13b. Precautions (Cont.)



Notes on Water Resistant Features

The inputs, outputs, and buttons are protected by rugged, water-resistant rubber covers.

- Do not submerge the unit or expose it to heavy rain, as it is water-resistant but not waterproof.
- Always close the rubber covers securely when not in use to protect against dust and moisture.



Notes on Repairs

The Bass50 is not user-serviceable beyond battery replacement. If you encounter issues outside of those listed in the troubleshooting section, or if the unit shows signs of physical damage, reach out to Trulli Audio for service options. Do not open the enclosure or attempt unauthorized repairs, as this will void the warranty.

For full cleaning and maintenance tips, see **Section 12: Care & Maintenance**.

13c. Symbols

Throughout this manual and on the product itself, you may encounter the following symbols:



Warning

Indicates important safety information that must be followed to prevent personal injury or equipment damage.



Note

Provides helpful guidance to improve your experience or product understanding.



CE Compliance

Indicates the product is intended to comply with applicable European Union requirements (see Section 14b and the EU Declaration of Conformity link).



WEEE / Battery Separate Collection

Do not dispose of this product with unsorted municipal waste. Send to designated collection facilities for recovery and recycling.



The battery must be collected separately and recycled according to local regulations. Do not dispose of in household waste.



Recycle

Reminds you to dispose of the Bass50 or its battery according to local environmental regulations.

Please take these notations seriously. They're here to keep you and your equipment safe.

13d. Mounting and Tipping Safety



To ensure a safe and stable setup when using Bass50 with a stand or pole-mount system such as the Universal Port:

General Safety Requirements

- Only use Trulli pole accessories
 - Trulli Long Pole: Maximum load capacity: 77 lbs, Height: 35" to 54"
 - Trulli Short Pole: Maximum load capacity: 77 lbs
- Ensure the threaded bolt is turned fully to the stop before use. Failure to do so may lead to tipping or thread/housing damage.
- Never install Bass50 on uneven, unstable, or sloped surfaces.
- Always confirm that all latches and clamps are fully engaged and secured before use.
- Do not attempt to adjust the height or connection while Bass50 is mounted.

Proper Placement

- Position Bass50 so that its center of gravity remains well within the base footprint.
- Use on a level surface where external vibration, wind, or contact is minimized.
- Do not place Bass50 near edges of tables, platforms, or unstable furniture.
- Bass50 tipping could cause injury or damage if dropped, including serious foot or toe injuries.

Load & Balance Guidance

- Avoid off-center weight distribution. Keep accessories or stacked gear centered directly above the pole.
- External forces like wind, bumps, or cable tension may cause the unit to sway or tip if improperly secured.
- When possible, add weight or anchoring to the base to improve stability, especially in elevated or stacked configurations.

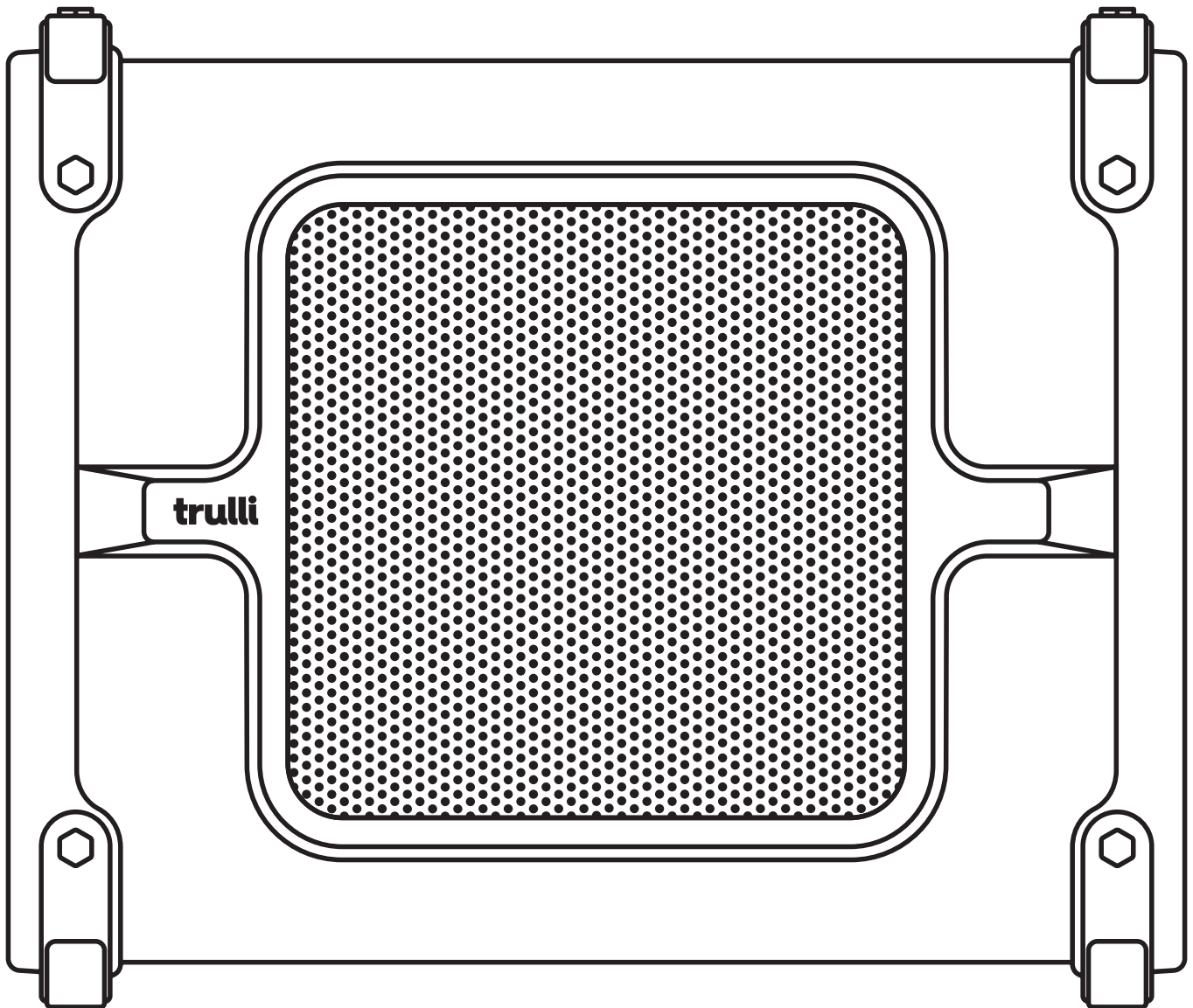
Moving & Transport Safety

- Do not lift or carry Bass50 while it is attached to the Universal Port, stacking clamps, or other mounting accessories. These components are intended for use during operation only and are not designed to support lifting or carrying.
- Always disassemble components before moving the system.
- Use an appropriate cart or transport solution when relocating Bass50, especially in stacked or elevated configurations.

Reference

This guidance applies to all mounted or elevated Bass50 configurations, including use with the Trulli Bass50 Universal Port, Trulli Bass50 Mounting Plate, Trulli Speaker Poles, Trulli Bass50 Stacking Clamps, and compatible third-party M20 pole systems.

14. Regulatory Information



Your Bass50 has been designed and tested to comply with essential safety and regulatory standards. Please read the following compliance statements carefully.

14a. FCC / IC Compliance

Pursuant to FCC 15.21 of the FCC rules, changes not expressly approved by Trulli Audio might cause harmful interference and void the FCC authorization to operate this product.

This equipment has been tested and found to comply with the limits for a Class B digital device, pursuant to Part 15 of the FCC Rules. These limits are designed to provide reasonable protection against harmful interference in a residential installation.

This equipment generates, uses, and can radiate radio frequency energy and, if not installed and used in accordance with the instructions, may cause harmful interference to radio communications. However, there is no guarantee that interference will not occur in a particular installation. If this equipment does cause harmful interference to radio or television reception, which can be determined by turning the equipment off and on, the user is encouraged to try to correct the interference by one or more of the following measures:

- Reorient or relocate the receiving antenna.
- Increase the separation between the equipment and receiver.
- Connect the equipment into an output on a circuit different from that to which the receiver is connected.
- Consult the dealer or an experienced radio/TV technician for help.

This product complies with FCC & Industry Canada's RSS-102 radiation exposure limits set forth for an uncontrolled environment

This device complies with Part 15 of the FCC Rules and Innovation, Science and Economic Development Canada license-exempt RSS standard(s). Operation is subject to the following two conditions: (1) This device may not cause harmful interference, and (2) this device must accept any interference received, including interference that may cause undesired operation.

FCC ID: 2AXEJBASS50

IC: 26435-BASS50

Model: BASS50

Input 24 V/7.5 A

14a. FCC / IC Compliance (Cont.)

Ce produit est conforme à la norme FCC et AUX limites d'exposition au rayonnement RSS-102 d'Industrie Canada définies pour un environnement non contrôlé.

Cet appareil est conforme à des règlements Innovation, Sciences et Développement économique Canada exempts de licence standard RSS (s). Son fonctionnement est soumis AUX deux conditions suivantes: (1) Ce dispositif ne doit pas causer d'interférences nuisibles, et (2) cet appareil doit accepter toute interférence reçue, y compris les interférences pouvant entraîner un fonctionnement indésirable.

This Class B digital apparatus complies with Canadian ICES-003.

Cet appareil numérique de la classe B est conformé à la norme NMB-003 du Canada.

This device complies with FCC and Industry Canada radiation exposure limits set forth for general population. This equipment should be installed and operated with a minimum distance of 20 cm between radiator and your body. This transmitter must not be co-located or operating in conjunction with any other antenna or transmitter. This device complies with Part 15 of the FCC Rules and Industry Canada license-exempt RSS standards. Operation is subject to the condition that this device does not cause harmful interference.

SKAA® Compliance

The Bass50 uses SKAA® technology licensed by Dillinger Labs, designed to comply with relevant wireless communication standards. For more details on SKAA® technology and compliance, please visit: skaa.com



California Proposition 65 Warning

This product can expose you to chemicals including cobalt, lithium nickel oxide, and nickel, which are known to the State of California to cause cancer and birth defects or other reproductive harm. For more information, go to www.P65Warnings.ca.gov

14b. CE & Environmental Compliance

European Union (CE) Compliance (Radio Equipment Directive)

Trulli Audio declares that the Bass50 is in conformity with the applicable requirements of European Union legislation for radio equipment, including the Radio Equipment Directive (RED) 2014/53/EU. The full EU Declaration of Conformity (DoC) for this product is available at: *[INSERT YOUR PUBLIC DoC URL]*.

EU Responsible Person / Authorized Representative (if applicable)

[INSERT EU AR / Responsible Person legal name]

[INSERT street address, city, postal code, country]

[INSERT email / phone]

Radio Operating Parameters (EU/EEA)

This product intentionally emits radio waves. The following radio parameters apply:

- Bluetooth Low Energy (BLE): 2402–2480 MHz, Maximum conducted output power: 2.875 mW (4.6 dBm), Maximum EIRP: 7.918 mW (9.0 dBm)
- SKAA (2.4 GHz ISM band): Tested at 2477.3 MHz, Maximum conducted output power: 9.779 mW (9.9 dBm), Maximum EIRP: 16.607 mW (12.2 dBm)

RF Exposure (EU/EEA)

RF exposure was assessed per EN 62479 (low-power exclusion) and the equipment is exempt from routine evaluation.

RoHS & REACH

The Bass50 is designed to meet the applicable restrictions on hazardous substances under RoHS (Directive 2011/65/EU, as amended, including (EU) 2015/863) and applicable REACH requirements (EC) No 1907/2006.



WEEE (Separate Collection)

Do not dispose of this product with unsorted household waste. Electrical and electronic equipment must be collected separately for appropriate recovery and recycling in accordance with local regulations.

Battery disposal

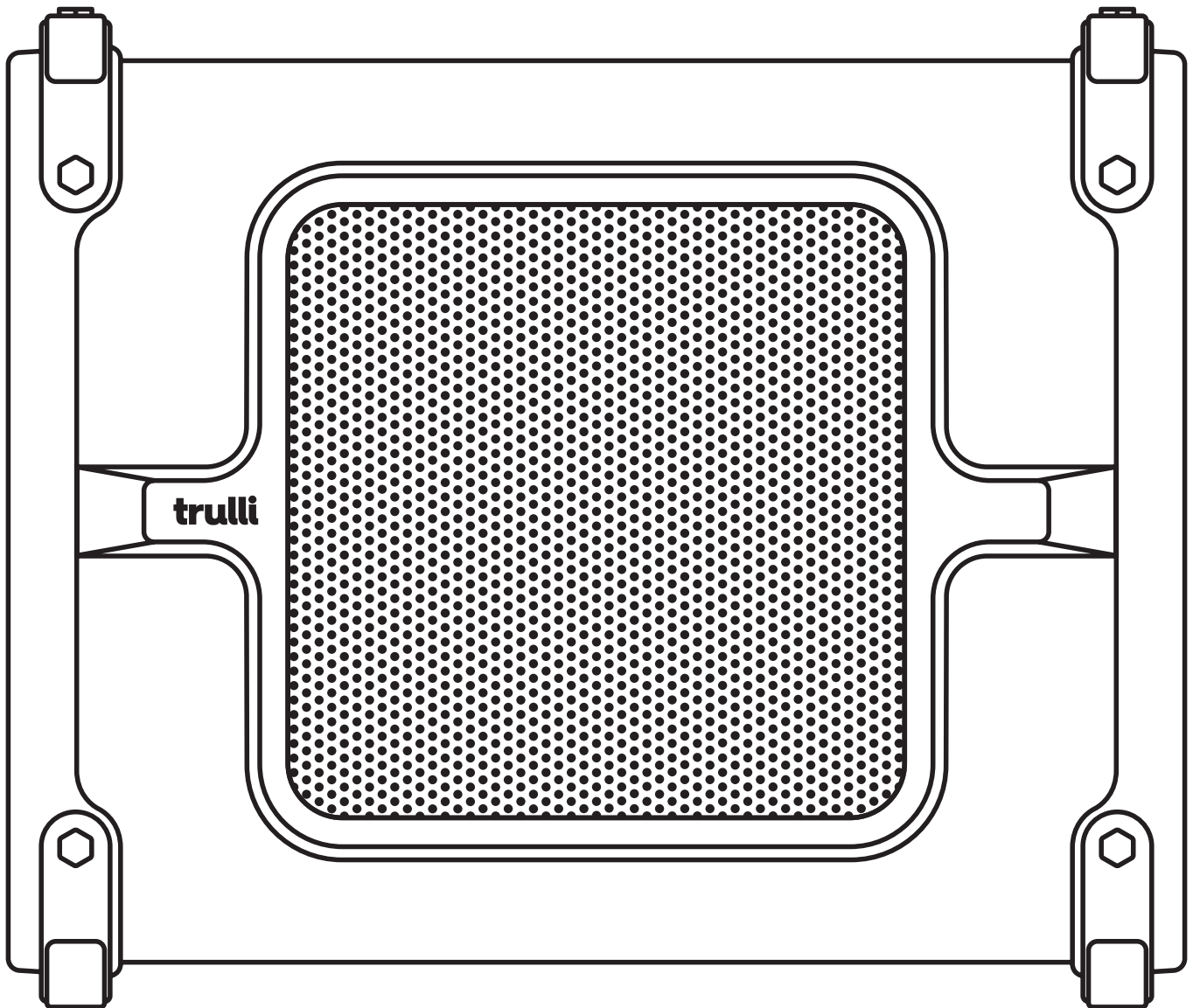
If your Bass50 uses a removable battery, dispose of and recycle the battery separately in accordance with local regulations. Do not incinerate, crush, or puncture the battery.



Additional Regulatory Information

Regulatory symbols and safety markings used in this manual and on the product are explained in **Section 13c: Symbols**.

15. Customer Bill of Rights



Trulli Audio Customer Bill of Rights

At the core of our support promise is the Trulli Audio Bill of Rights, which outlines our customer-first philosophy. At Trulli Audio, we're committed to your satisfaction.

Here's What You Can Expect:

Risk-Free Trial: 30 days of complete satisfaction guaranteed. If you're unsatisfied for any reason, return it within 30 days of the original shipment date for a full refund. We'll even cover the return shipping.

Free Shipping: Standard shipping is free on all orders over \$50.

Best Price Guaranteed: If the product goes on sale within 30 days of purchase, we'll refund the difference.

Trade-Up Option: Trade in any Trulli product within one year and get credit toward something new.

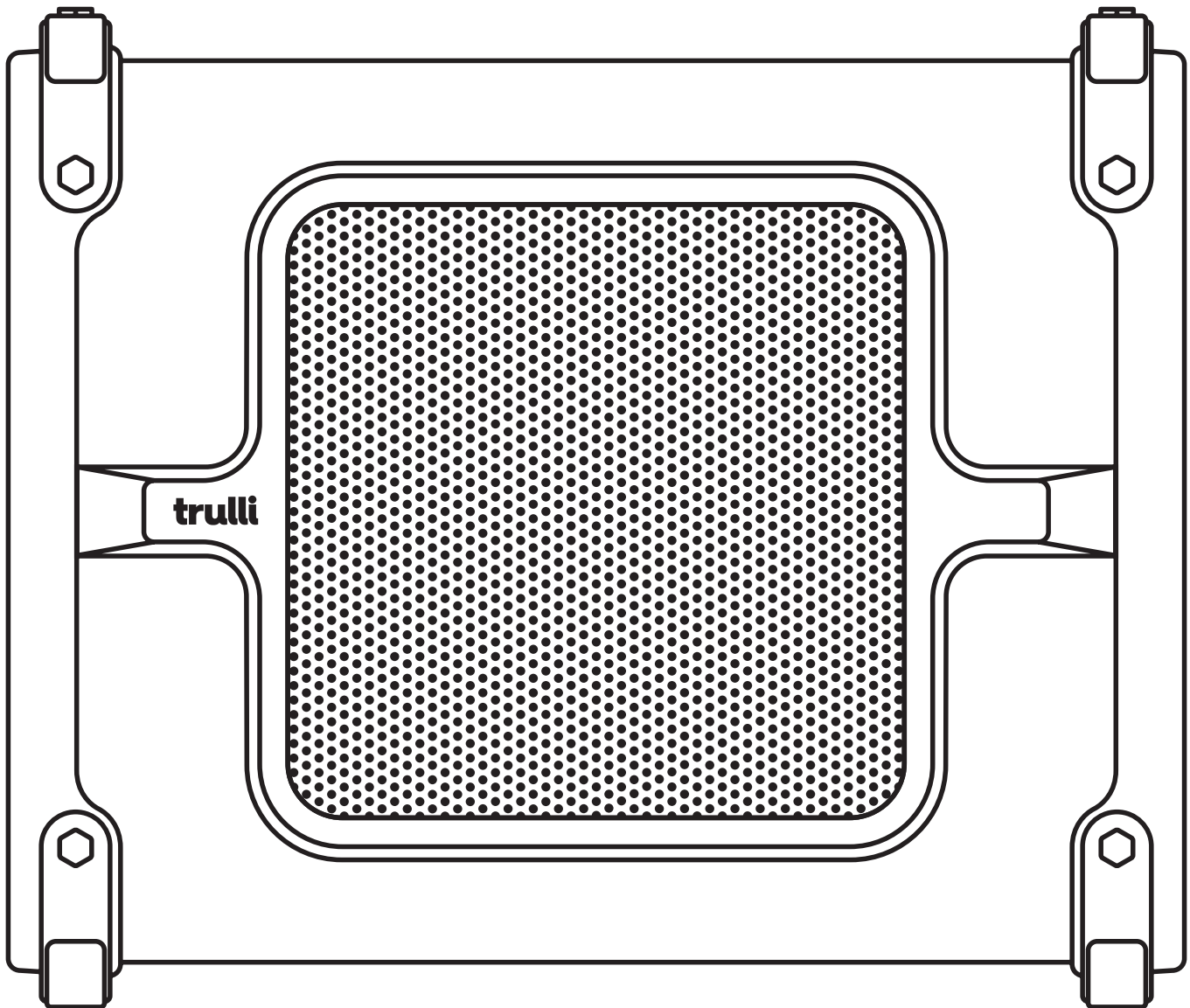
Lifetime Care: We're here to help for as long as you own your Trulli product.

Leading Technology: If your powered product has software updates, those updates will be available at no cost for as long as you own the product. Every product is part of any overall system plan... you can expand your Trulli System because you know we have long term, strategic plans that make sure your purchase won't become an "orphan".

Top-Notch Quality: If there's a defect within 90 days, we'll replace it.

Safe Disposal: We'll recommend options for recycling your old gear safely and responsibly.

16. Warranty



Trulli Audio Warranty & Support

At Trulli Audio, we build gear to be used in the real world. We stand behind our products, move quickly when something goes wrong, and work hard to keep you up and running.

The Trulli Promise

- 5-Year Structural + Driver Coverage on eligible core battery-powered Trulli products
- 3-Year Electronics Coverage on eligible core battery-powered Trulli products
- 2-Year Battery Coverage on eligible removable battery packs under normal use
- 1-3 Year Accessory Coverage depending on the product category
- Bass50 Advanced Replacement support on approved cases
- Lifetime Care through troubleshooting, parts support where practical, and paid service after the written warranty ends

What is Covered

Trulli Audio covers defects in materials and workmanship under normal use during the applicable warranty period. Coverage applies to eligible products purchased directly from Trulli Audio or through an authorized Trulli dealer or partner. Proof of purchase is required. Registration is recommended for faster support and product updates, but it is not required to activate base warranty coverage.

Warranty Terms by Product Category

Category	Examples	Coverage
Core battery-powered products	Bass50 and future battery-powered Trulli audio products	5 years structure + proprietary driver, 3 years electronics + connectivity, 2 years removable battery
Hard accessories	Universal Port, M20 plate, stacking hardware, dollies, transport hardware, brackets	3 years
Powered accessories	External chargers, future hubs, powered docks, powered control modules	2 years
Soft goods and wear items	Bags, straps, covers, non-structural trim	1 year for defects in materials and workmanship
Third-party accessories	Third-party branded items sold by Trulli	Original manufacturer warranty applies

Trulli Audio Warranty & Support (Cont.)

Bass50 Advanced Replacement

Bass50 is an advanced replacement product. In approved cases, Trulli may provide cross-shipped replacement support for a Bass50, battery, or critical component before the original unit is repaired or returned. This is intended to reduce downtime and keep customers moving.

Advanced replacement is subject to issue verification, serial validation, proof of purchase, inventory availability, and return compliance. In some cases, Trulli may provide a new, repaired, or recertified replacement unit or component. Recertified replacements are fully tested before shipment and carry either the balance of the original warranty or a minimum replacement coverage window, whichever is longer.

How to Get Support

1. Contact Trulli Support by phone, text, email, or our online support form.
2. Share your product serial number, proof of purchase, and a short description of the issue.
3. If helpful, include photos or video and note any charging, battery, signal, app, or connectivity symptoms.
4. If you purchased through an authorized dealer or partner, you may also start with them. Trulli and the partner will coordinate the right next step.
5. Trulli may resolve the issue remotely, send a part or battery, authorize a return for service, or approve a replacement path.

What is Not Covered

- Normal cosmetic wear, finish wear, scratches, dents, or soft-good wear from regular use
- Damage caused by misuse, abuse, neglect, accidents, drops, crushing, improper transport, or improper charging
- Damage caused by unauthorized repair, modification, or non-approved accessories or power products when those cause the failure
- Normal battery-capacity reduction outside the stated battery warranty period
- Products with removed, defaced, or altered serial numbers
- Commercial loss, lost income, event disruption, or other incidental or consequential damages to the extent permitted by law

Authorized Dealers and Partners

Buying from Trulli Audio or an authorized Trulli dealer or partner helps ensure valid warranty coverage, product authenticity, and the best support experience. Dealer, service-department, and production-partner operating rules are governed by Trulli's separate dealer service policy.

Accessory Support

Trulli accessories are covered according to category, not one by one, so the policy can grow with the product line. This keeps the coverage clear today while making room for future Trulli products, transport solutions, charging products, mounts, docks, ports, bags, and deployment accessories.

Trulli Audio Warranty & Support (Cont.)

Lifetime Care

Even after the written warranty ends, Trulli intends to support owners through troubleshooting, paid service where available, replacement parts where practical, battery refresh options where applicable, and upgrade or trade-up pathways when offered.

Short FAQ

Do I need to register my product?

No. Registration is recommended for faster support and product updates, but proof of purchase activates base coverage.

Is Bass50 really an advanced replacement product?

Yes. Bass50 is designated as an advanced replacement product, but each case still requires approval, verification, and return compliance.

Does this apply if I bought from a dealer?

Yes, as long as the purchase was made through an authorized Trulli dealer or partner.

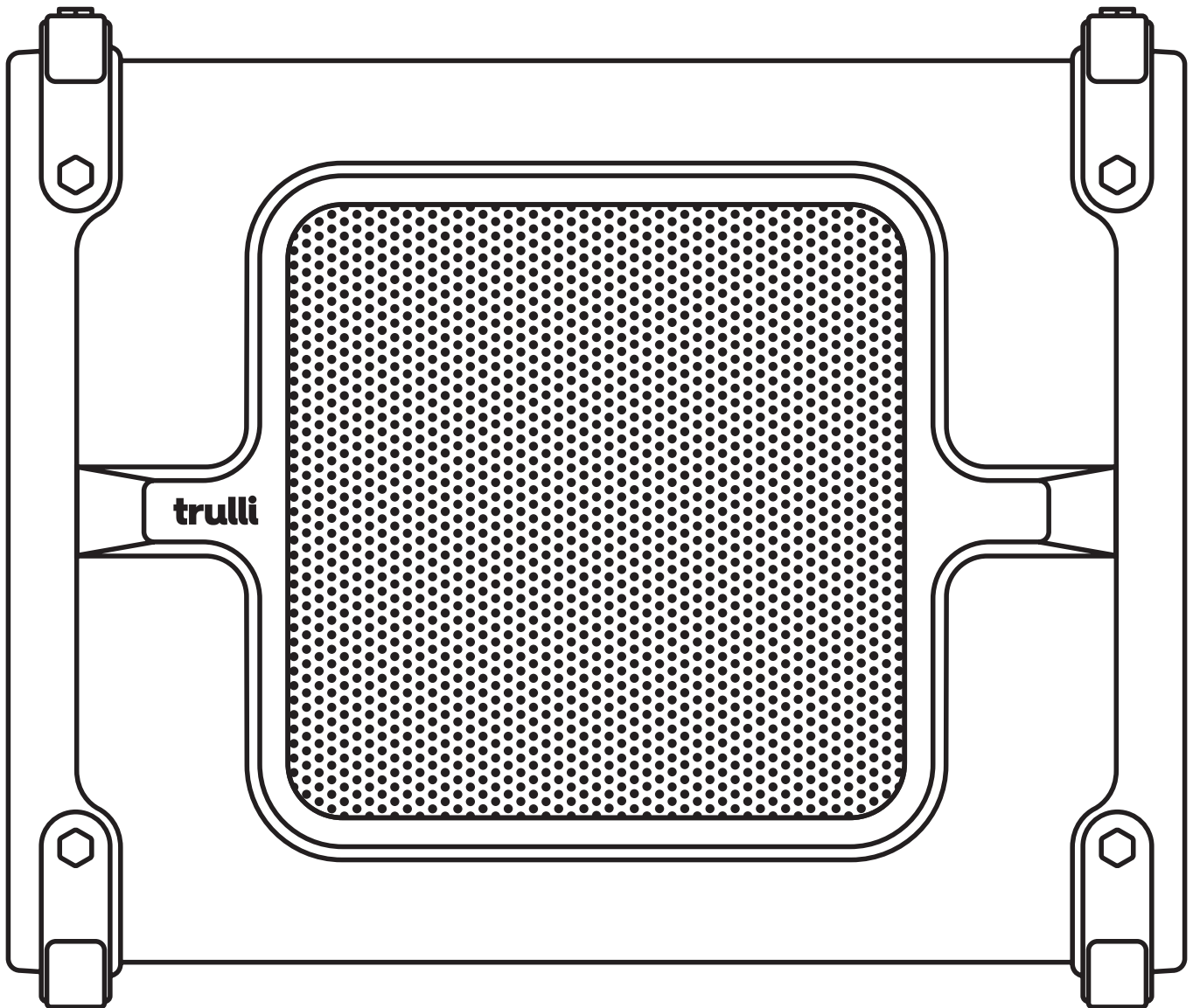
Are accessories covered?

Yes. Accessories are covered by category, with terms ranging from 1 to 3 years for Trulli-branded accessories and OEM terms for third-party items.

Can my replacement be refurbished?

Yes. When appropriate, Trulli may send a fully tested recertified replacement that meets Trulli service standards.

17. Troubleshooting and FAQ





For the most up-to-date support, troubleshooting steps, and product-specific FAQs, visit the Trulli Audio Help Center. You'll find quick solutions, how-to guides, video tutorials, and community-driven insights to help you get the most out of your Bass50 and related accessories.

Scan the QR code below to go directly to the Help Center or visit [Help.TrulliAudio.com](https://www.TrulliAudio.com).

We're always updating the Help Center with new tips and solutions based on real customer questions and feedback. Whether you're setting up for the first time, experiencing connectivity issues, or exploring advanced features, it's the best place to start.

17a. Bass50 Troubleshooting (FAQs)

1. Why won't my Bass50 power on?

Check battery level (see Section 9b: Battery Overview) and ensure the Trulli Button is held for at least 1 second.

2. Why can't the app find my Bass50?

Ensure Bluetooth is enabled on your phone, and Bass50 is in pairing mode (see Section 8a: Bluetooth).

3. The LED ring is flashing. What does that mean?

Refer to Section 4b: Using the Main Controls for a full breakdown of indicator patterns.

4. Why is there no sound even though I'm connected?

Check that Master Volume and Bass Gain are turned up (see Section 4b: Using the Main Controls). Also confirm your Sound Profile is appropriate (see Section 5i: Bass50 Sound Profile Settings).

5. How do I know which SKAA mode I'm in?

Refer to Section 8b: SKAA for LED indicators and mode descriptions.

6. What's the best orientation for my Bass50?

See Section 7b: Orientation & Placement for guidance based on your setup and environment.

7. How do I adjust bass levels or volume without the app?

Use the Bass50 control panel (see Section 4b: Using the Main Controls).

17a. Bass50 Troubleshooting (FAQs) (Cont.)

9. Can I use the Bass50 while it's charging?

Yes. Refer to Section 9c: Charging Options for details.

10. What should I do if my Bass50 won't connect to SKAA receivers?

Check bonding mode and LED status (see Section 8b: SKAA) and ensure the Bass50 is in Transmit mode.

For additional Bass50 Troubleshooting visit our Help Center at [Help.TrulliAudio.com](https://help.trulliaudio.com).

17b. SKAA Wireless Troubleshooting (FAQ)

1. How does the Green List work?

You can store up to 10 SKAA transmitters on your Green List. These are your “favorite” audio sources. Every time you add a transmitter, it assigns the first open spot on the Green List. When you single click the Bond Button, the receiver hunts through the Green List much like a car radio hunts for strong stations when you press seek. If the indicator is dim Green and flashes every two seconds, this tells you the receiver is hunting through the Green List. Say you have 5 transmitters on your Green List: your receiver will run through the list one by one: 1, 2, 3, 4, 5 and then back to 1 and so on. The dim green indicator flashes every time the receiver moves to the next spot on the list. This hunting goes on for up to 1 minute. If your receiver doesn't find any of your favorite transmitters, it stops hunting and just waits for the last bonded favorite. If the receiver does find one of your favorite transmitters, the indicator changes to a bright green, and your receiver starts playing audio from that favorite. A dim Green Indicator that is NOT flashing means the receiver is just sitting on one spot, waiting for a specific favorite transmitter to show up.

2. How do I bond with a specific green transmitter?

Play audio from your source device and ensure it has a SKAA transmitter connected. Click the Bond Button on your receiver. The receiver hunts through the Green List, flashing the indicator as it goes. Once your receiver finds one of your favorite transmitters, it bonds to it and plays audio from that transmitter. If that isn't the transmitter you wanted, click the Bond Button once more. Repeat until your receiver bonds with the transmitter you want and you're hearing the correct audio playing.

3. How do I select transmitters if I can't reach my Bond Button?

Say you want to put your receiver on a high shelf where you can't reach the Bond Button easily. First, set up your Green List: add all the transmitters you'll want to use. Then de-click the Bond Button to enter Red Mode. Now put the receiver up on the high shelf. Power on just one of your transmitters and power off all others. The receiver automatically bonds to the transmitter that's on.

4. How do I delete a transmitter from my Green List?

Factory Reset (6 Clicks of the Bond Button) clears the Green List and lets you start over from scratch. If, however, you'd like to delete just one transmitter from your Green List, first bond your receiver to the transmitter you wish to delete. See the section above: How do I bond with a specific green transmitter? Once you are bonded to it, hold down the Bond Button for a few seconds until you see the indicator flash red. This means the transmitter has been deleted.

5. What is a Cluster?

Clusters are an optional convenience for power users. A Cluster is several SKAA receivers behaving as one product. A pair of left and right speakers, for example, or a sound bar and a subwoofer.



17b. SKAA Wireless Troubleshooting (FAQ) (Cont.)

6. What is the Master receiver?

In any Cluster, there is a single Master receiver, and all the other receivers in the Cluster follow its behavior. You can control the entire Cluster by operating the Bond Button of the Master. A receiver must have a physical Bond Button to become the Master.

7. How do I “duplicate” several receivers?

Do the Make a Cluster of Receivers procedure once for each receiver but omit Step 3. Do them one at a time. This gives each of the receivers a functioning Bond Button, and each of them will thereafter operate independently.

8. What are some tips for making Clusters?

Each step in the Make a Cluster of Receivers procedure has a 10-second time limit. When you see the Master’s Indicator start to flash Red, you have 10 seconds to power on the next receiver. When the next receiver’s Indicator starts to flash Red, you have 10 more seconds to power on the next one, and so on.

9. Why is only one of my Bond Buttons working?

When you make a Cluster from several receivers, the first one powered on in the Make a Cluster of Receivers procedure becomes the Master of the Cluster. Only the Master’s Bond Button works because a Cluster uses just one Green List: the Master’s Green List. The Bond Button of each of the other receivers will only work for the Mute / Unmute function (3-Click of the Bond Button).

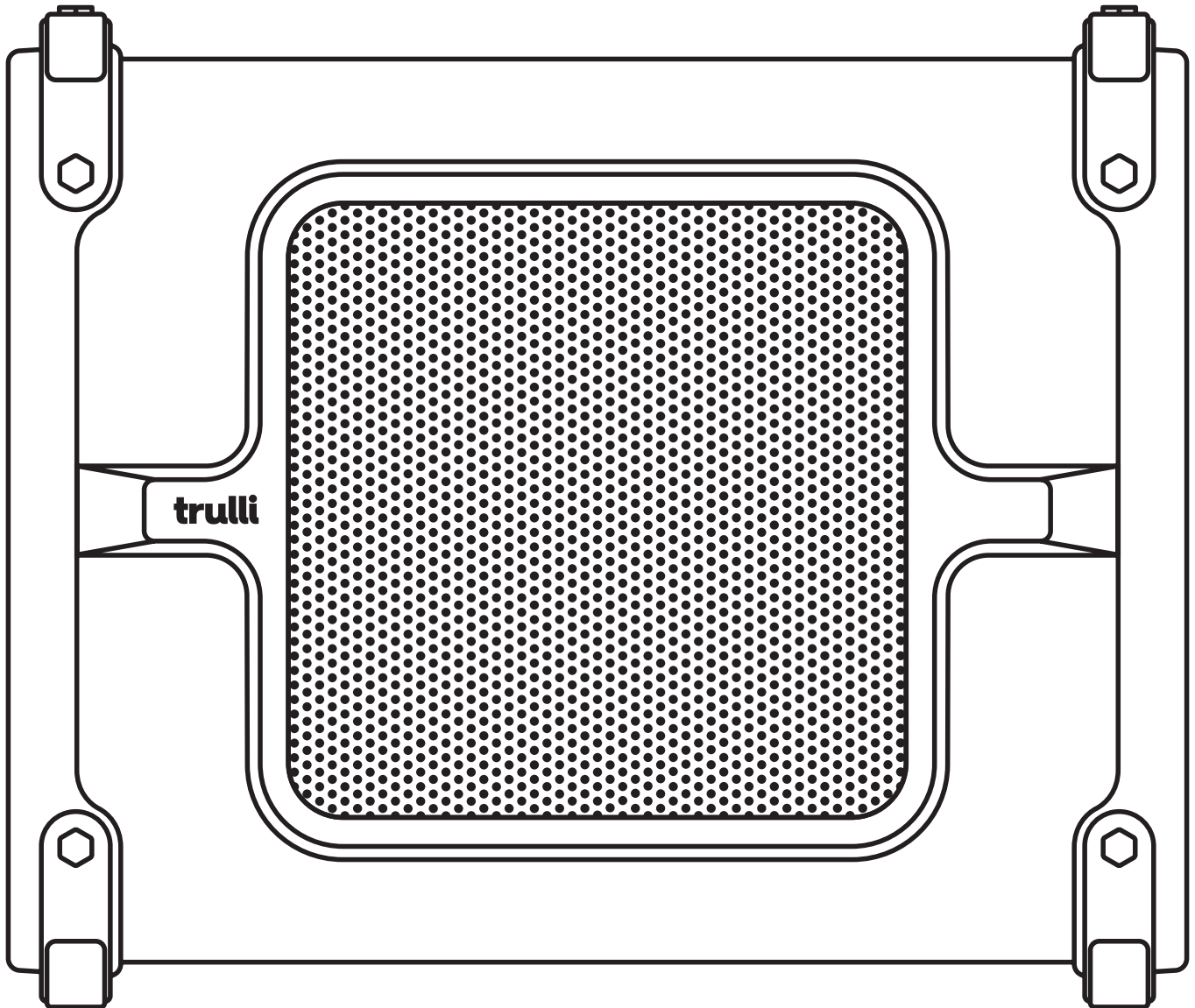
10. Can any group of receivers be made into a Cluster?

No. The receivers must be members of the same product family. If they are not, the Make a Cluster of Receivers procedure won’t work. This is because only receivers which were designed to work together (as a single product) can be made into a Cluster.

For additional SKAA Troubleshooting visit our Help Center at Help.TrulliAudio.com.



18. Contact Us



18. Contact Us

Whether you need help setting up, troubleshooting, or even have a story about your setup, we're always here to help. We're passionate about making sure you get the best experience possible with your Bass50.

We'd love to hear from you!

**Hours of Operation:**

Monday–Friday, 9:00 AM–5:00 PM Central Time (CT)

**Address:**

Trulli Audio
200 Terrace Dr.
Mundelein, IL 60060

Shipping Address (Warranty/ Repair):

Trulli Audio
212 Terrace Dr.
Mundelein, IL 60060

**Website:**

Visit www.trulliaudio.com for product documentation, firmware updates, FAQs, and helpful tips.

**Email:**

Reach out to Hello@TrulliAudio.com for warranty support, returns, or technical assistance.

**Phone (Call or Text):**

Contact us at 1-888-357-4199 during business hours. Texting is ideal for quick questions and convenient support.

**Social Media:**

<https://www.instagram.com/trulliaudio>



<https://www.facebook.com/TrulliAudio>



<https://www.youtube.com/@trulliaudio>



<https://www.tiktok.com/@trulliaudio>

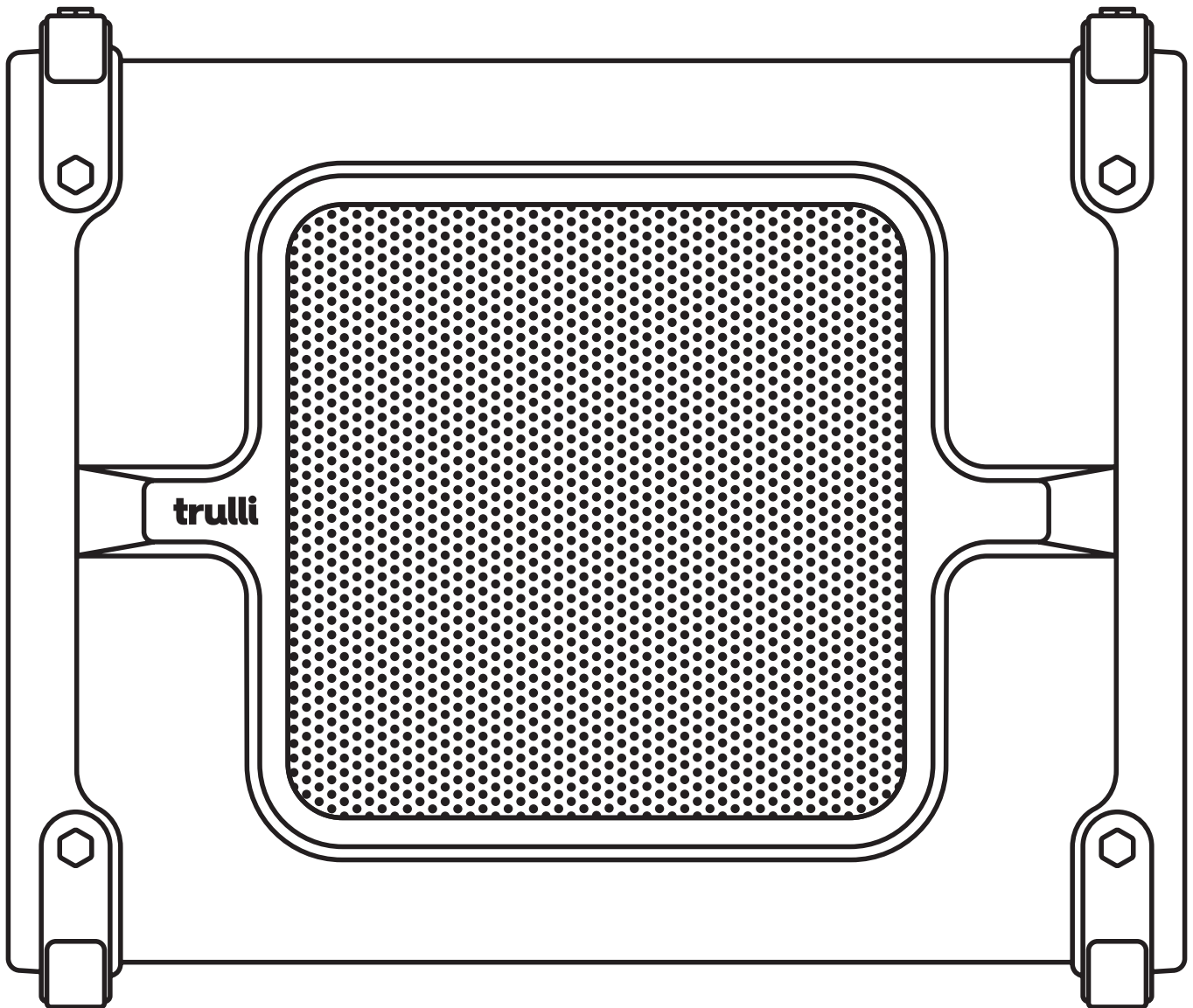


<https://www.linkedin.com/company/trulli-audio>



<https://x.com/TrulliAudio>

19. Share Your Thoughts



19. Share Your Thoughts

We built the Bass50 not just as a product, but as an experience: one that's meant to be shared, enjoyed, and evolved. Your feedback helps shape future innovations at Trulli Audio, and we'd love to hear from you. You can share your thoughts by:

Leaving a review on our website, TrulliAudio.com

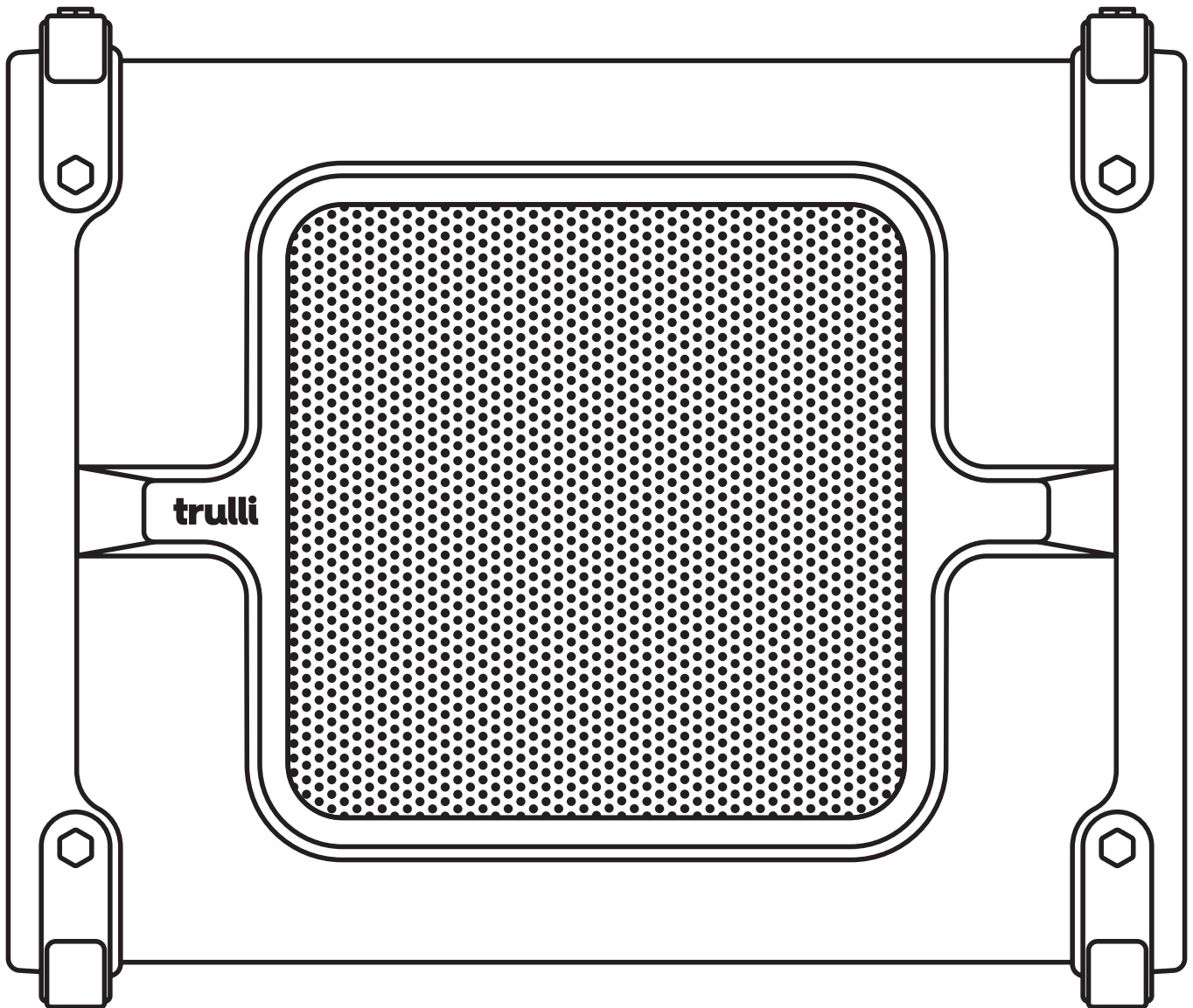
Tagging us on social media: [@TrulliAudio](https://twitter.com/TrulliAudio)

Emailing your experience or setup tips to Hello@TrulliAudio.com

We're building something special, a true American audio brand powered by innovation, simplicity, and the people who use it.

Thanks for being part of the journey.

20. Appendix / Help Guides



This section provides extra reference material to support your experience with the Bass50 and Trulli App. You'll find supplemental information, terminology explanations, and guides that expand on features mentioned earlier in the manual.

20a. App Help Details

Within the Trulli Mobile App, you'll find a dedicated Help or Info section under each screen or feature. These inline guides offer quick reference tips for:

- **Volume & Gain Controls:** Explains the difference between system volume and subwoofer gain.
- **Sound Profiles:** Describes each environment profile and its intended use.
- **Time Correction:** Includes tutorials for both Auto-Sync and Manual Sync modes, and tips on determining proper sync timing.
- **Crossover Settings:** Helps users adjust high-pass and low-pass filters based on system setup or personal preference.
- **Device Management:** Explains how to rename, add, remove, or reconnect devices..
- **Standby Settings:** Guides users through automatic sleep settings and power-saving behaviors.
- **Battery Info:** Shows battery charge status for the Bass50 and displays alerts for low or critical levels.

If you're unsure how a feature works or need assistance navigating the app, tap the "?" or info icons built into the Trulli app for context-sensitive help.

20b. Glossary of Terms

AUX (Auxiliary Input)

A 1/8" analog audio input used to connect devices like phones, mixers, or music players using a standard audio cable.

App (Trulli App)

The mobile application used to control your Bass50. It handles setup, sound tuning, firmware updates, and device management.

Battery (LiFePO₄)

A long-lasting, user-removable lithium iron phosphate battery that powers the Bass50. Chosen for its safety, reliability, and extended cycle life.

20b. Glossary of Terms (Cont.)

Battery Charger

A stand-alone accessory used to charge the Bass50's battery outside of the unit.

DSP (Digital Signal Processing)

Technology used to shape and optimize the audio signal for different environments (e.g., indoor or outdoor use).

Firmware

The internal software that controls the Bass50. It can be updated via the app to improve features or performance.

High-pass Crossover

Allows only frequencies above a certain threshold to pass through. Used to filter out low-end sounds from non-subwoofer speakers.

Input

Any source that provides audio to the Bass50 (e.g., Bluetooth, USB, AUX, SKAA Receiver).

Latency

The short delay between when sound is sent and when it's heard. The Bass50's Time Correction compensates for this when needed.

Low-pass Crossover

Allows only frequencies below a certain threshold to reach the subwoofer. This ensures cleaner bass response.

OTA (Over-the-Air Update)

The process of updating firmware wirelessly through the Trulli app.

Output

Any connection that sends audio from the Bass50 to another device (e.g., AUX Out, USB-C Out, SKAA Host).

SKAA

A low-latency wireless audio protocol used by the Bass50 to transmit or receive high-quality audio between devices.

SKAA Host Mode

When the Bass50 is sending audio wirelessly to another SKAA-compatible receiver.

SKAA Receiver

A device that wirelessly receives SKAA audio. The Bass50 can be set to be a SKAA Receiver for other modes.

20b. Glossary of Terms (Cont.)

SKAA Bonding

A SKAA feature where a device (like a receiver) is permanently linked to a transmitter (like the Bass50) for seamless reconnection.

SKAA Bypass Mode

A SKAA setting that disables SKAA functionality. Use this mode when not using the Bass50 with any SKAA enabled devices.

SKAA Pro Mode

A low-latency (~19 ms) SKAA transmission mode optimized for precision timing. Supports up to 2 receivers.

SKAA Consumer Mode

A SKAA transmission mode with slightly higher latency (~36 ms) that supports up to 4 receivers.

SKAA Green List

A SKAA feature that saves favorite transmitters for fast, automatic reconnection.

SPL (Sound Pressure Level)

A measurement of how loud the Bass50 can play, typically expressed in decibels (dB).

Standby

A low-power state that conserves energy while keeping the Bass50 discoverable for quick reconnection.

THD (Total Harmonic Distortion)

A measure of audio signal fidelity. Lower THD means cleaner sound.

Time Correction

Trulli's patented feature that compensates for delays in audio systems, keeping your subwoofer perfectly synchronized.

Vehicle Charger

A 12V power cable for charging the Bass50 from a vehicle's accessory socket. Begins charging when the vehicle is running.

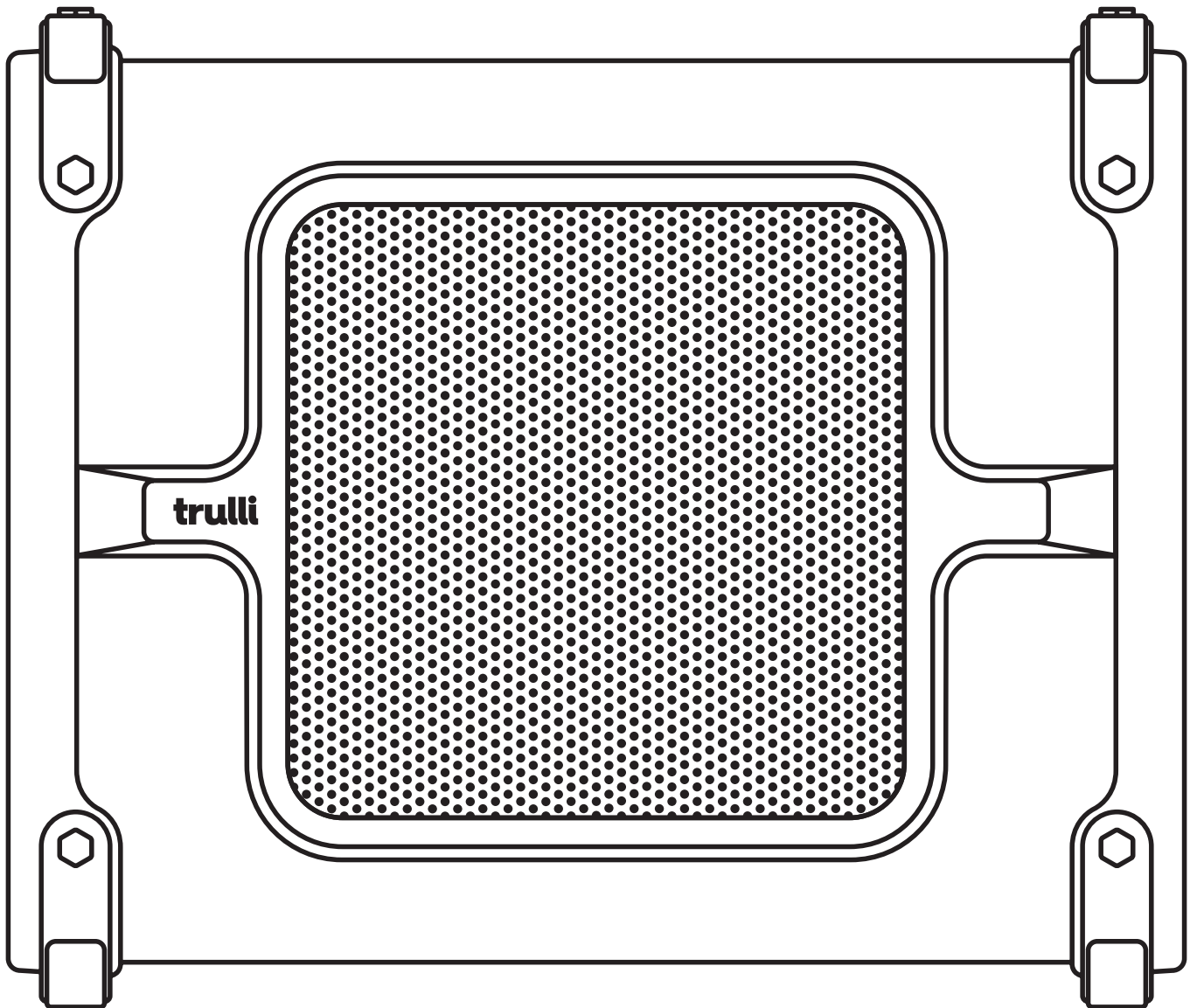
Vrms (Volts Root Mean Square)

A standard way of expressing effective voltage in AC signals. Commonly used in audio power measurements.

Wall Charger

The included AC adapter that provides power and charging to the Bass50 from a standard wall outlet.

21. Licenses and Trademarks



21. Licenses and Trademarks

Bluetooth® is a registered trademark of Bluetooth SIG, Inc.

SKAA® is a registered trademark of Eleven Engineering Inc.

Trulli Audio™, the **Bass50™**, and associated logos are trademarks of Trulli Audio, LLC.

Other products and brand names mentioned may be trademarks or registered trademarks of their respective owners. Use of these names does not imply any affiliation or endorsement.